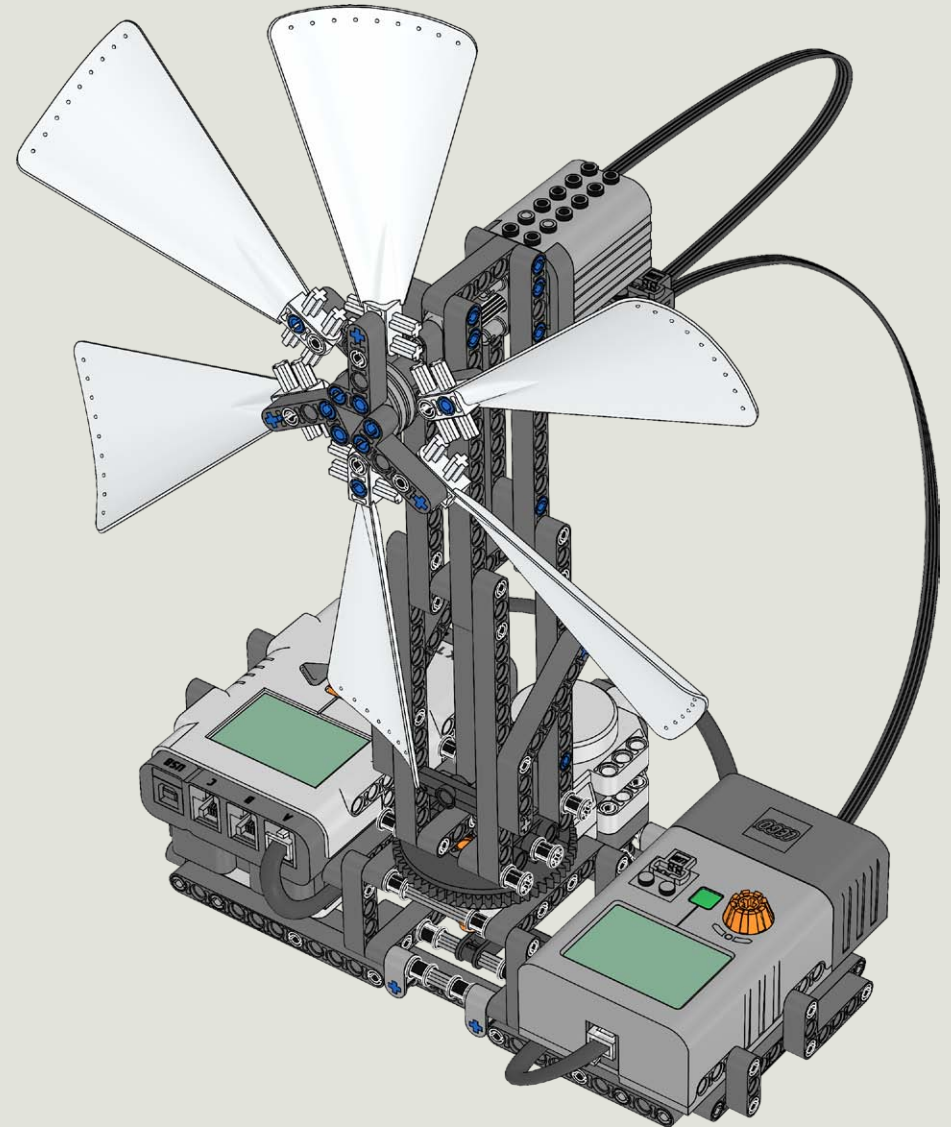
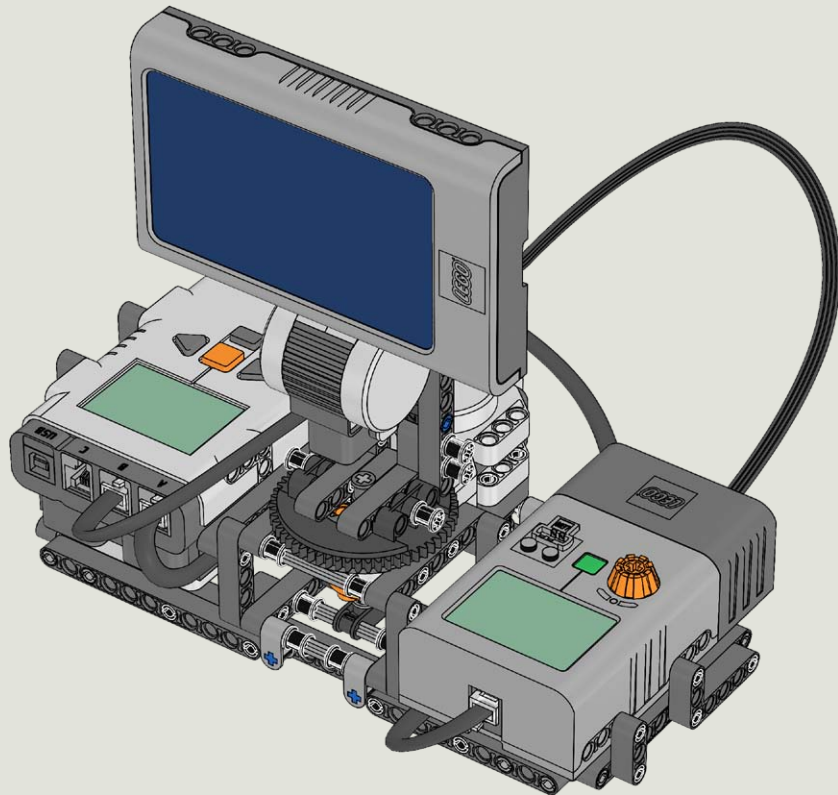


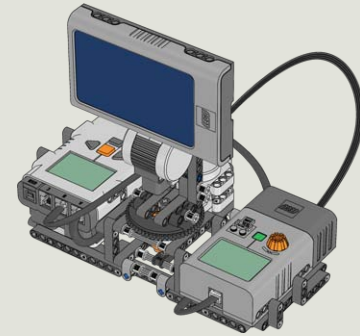
9688 + 9797 + 9695/9648



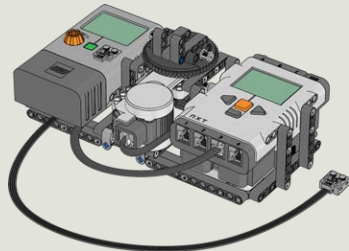
+



=

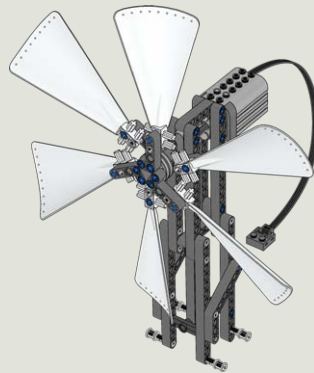


39 - 54

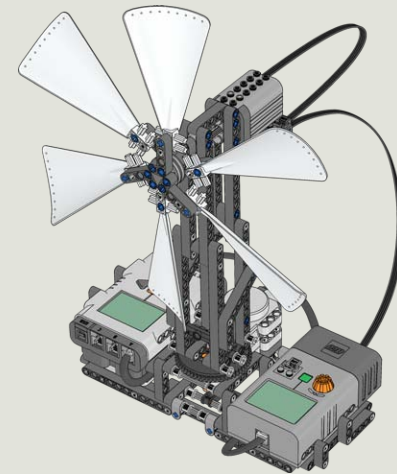


3 - 38

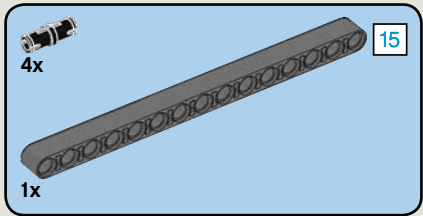
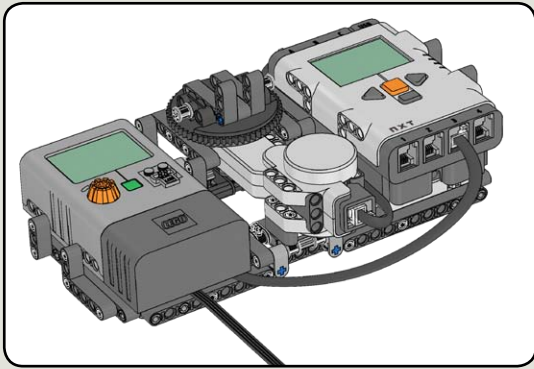
+



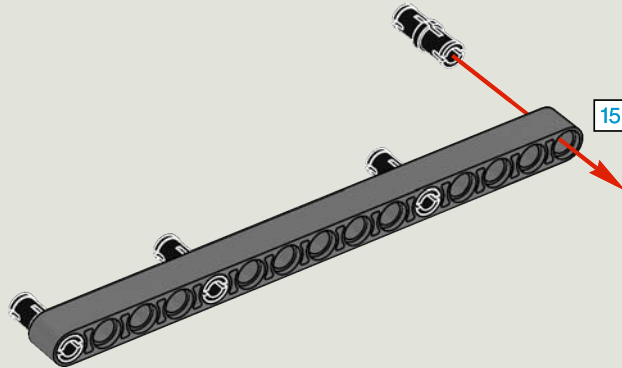
=

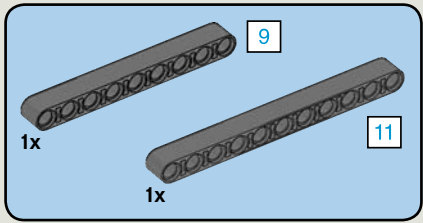


55 - 76

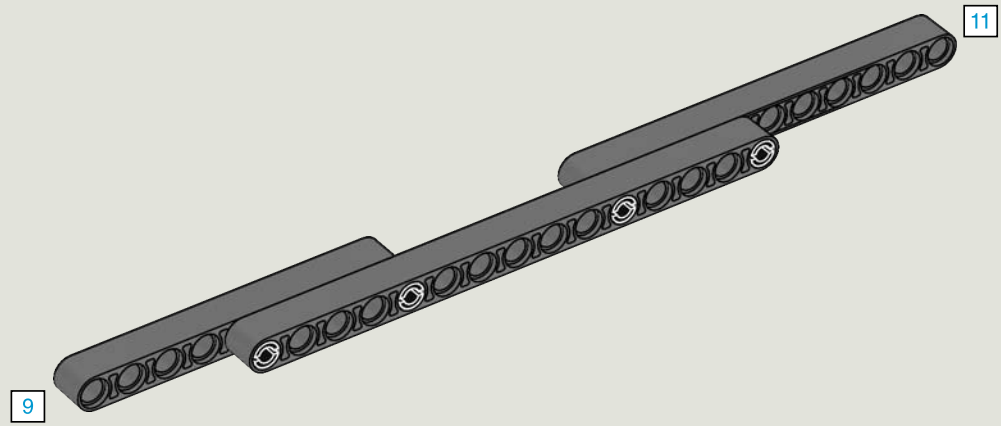


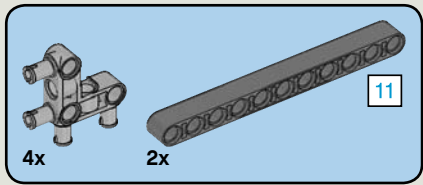
1



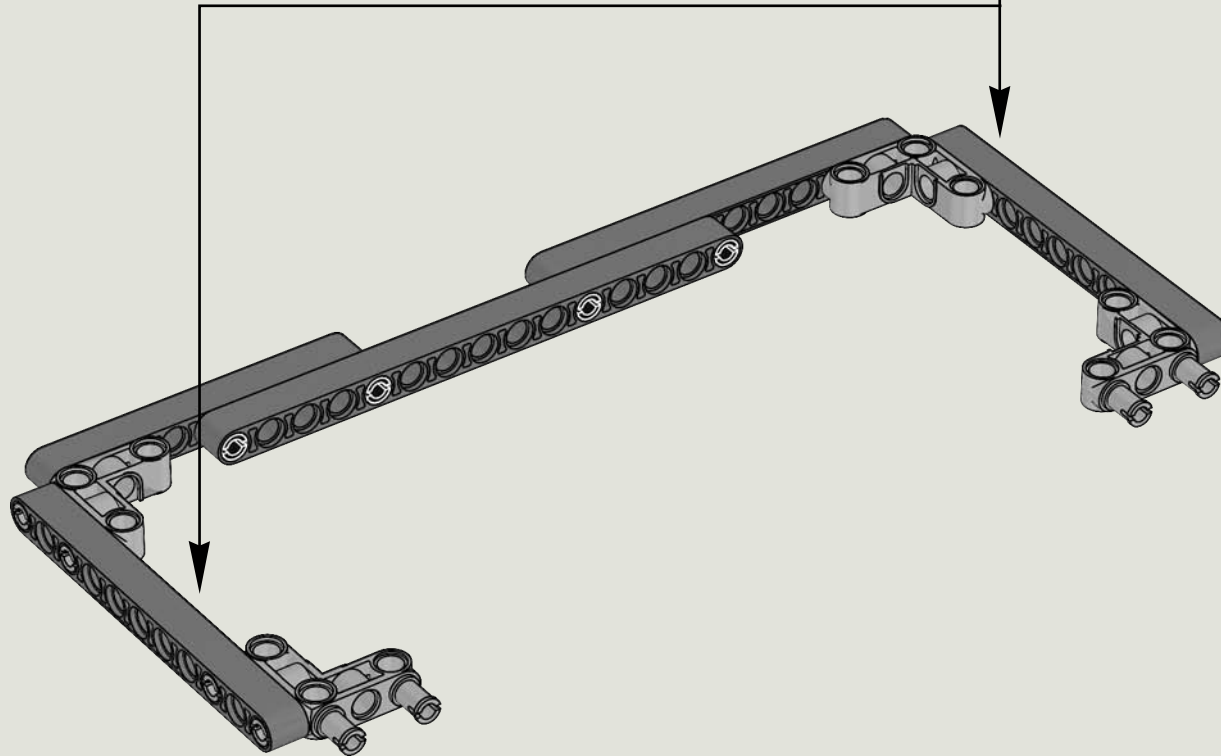
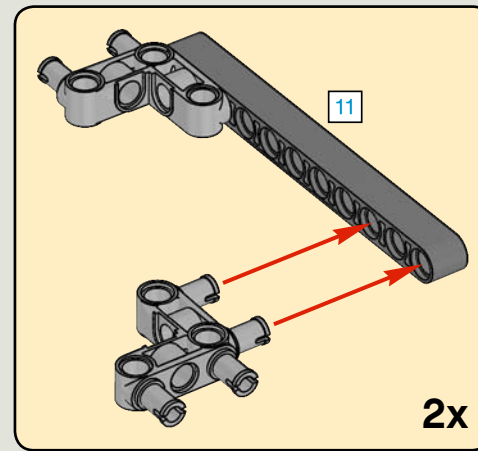


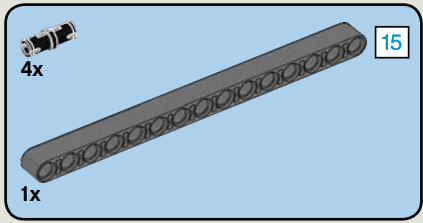
2



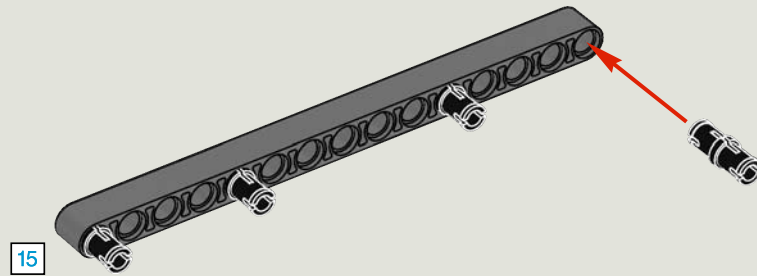


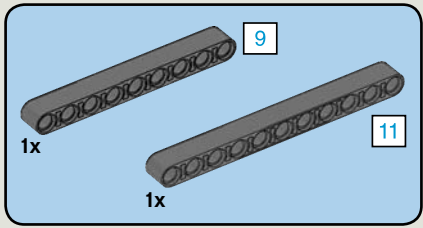
3



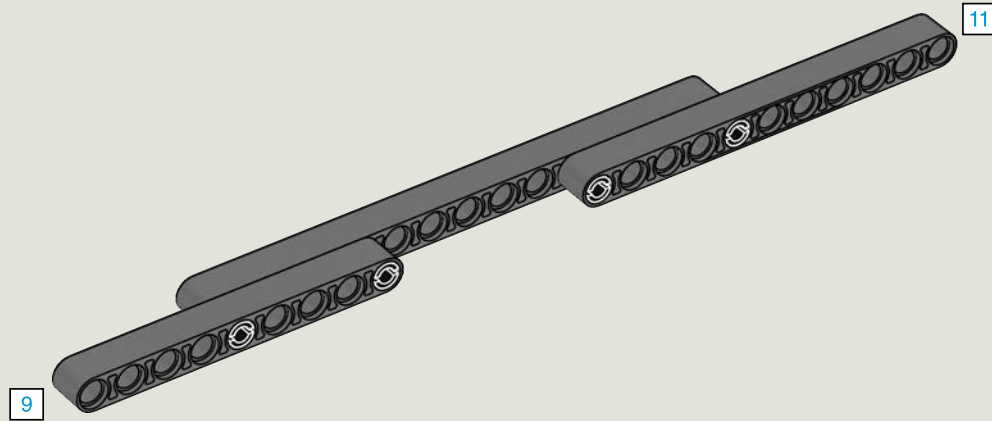


4

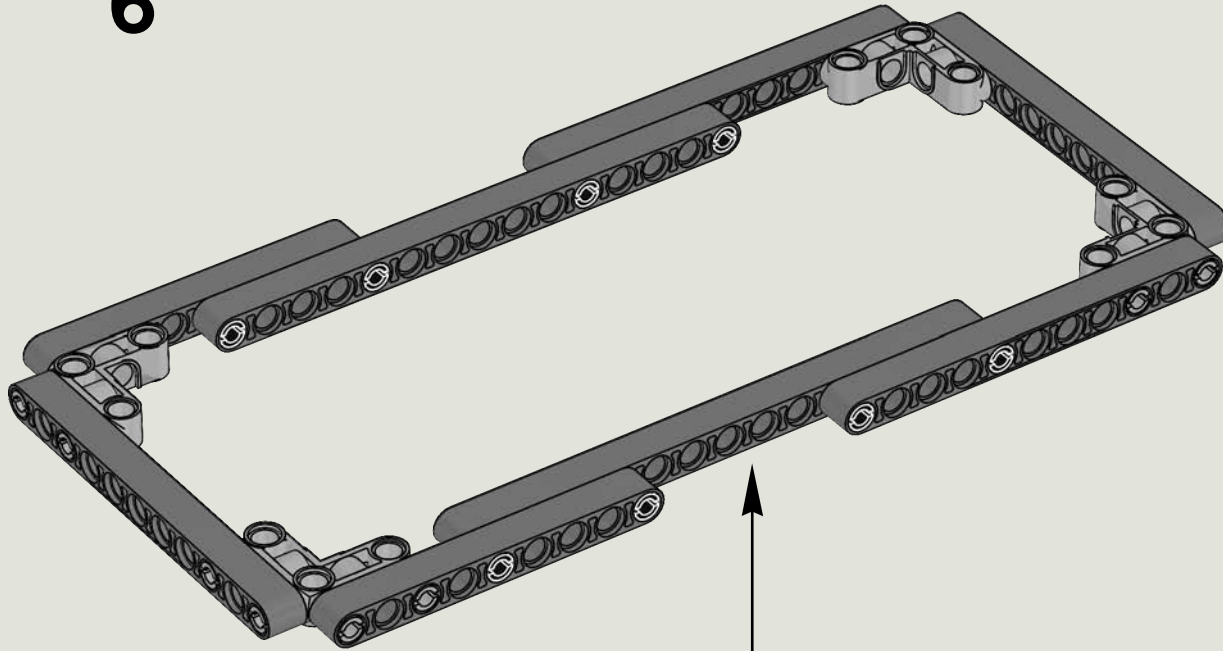


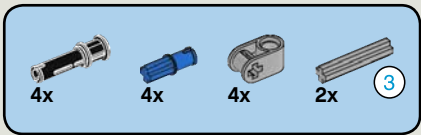


5

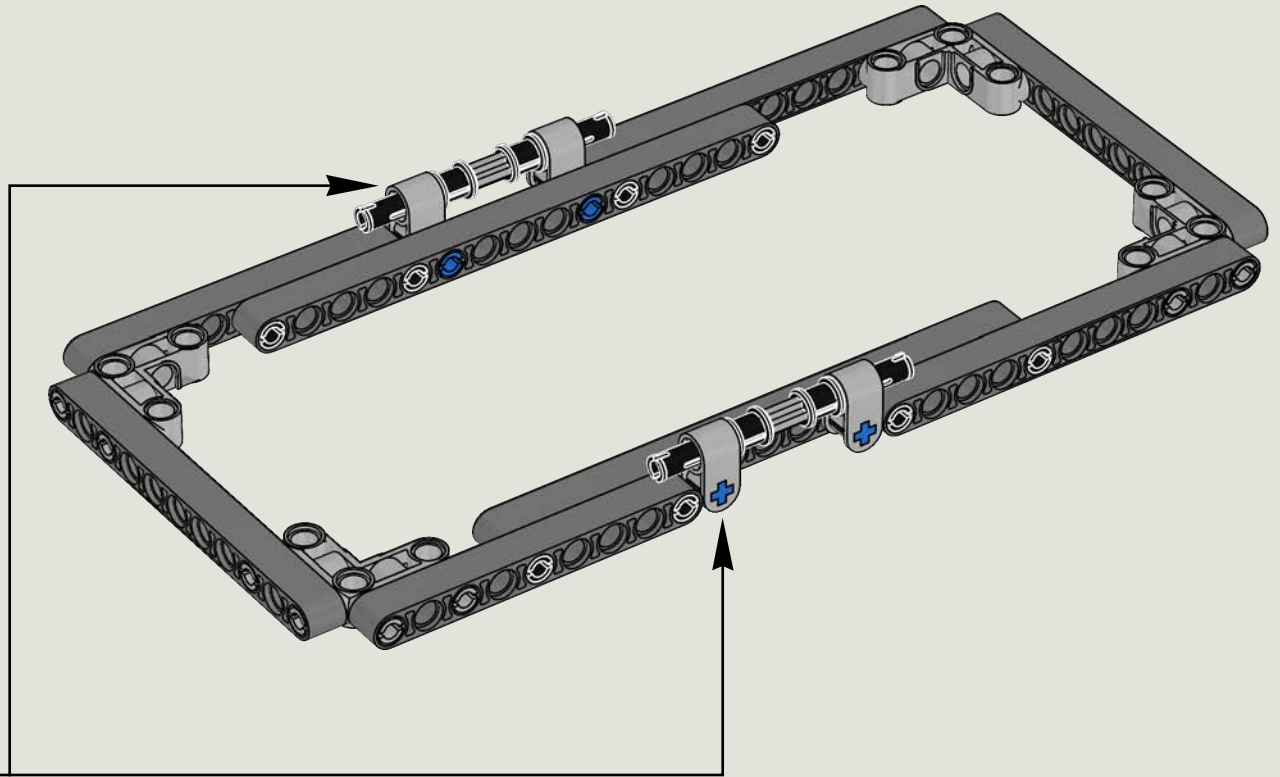
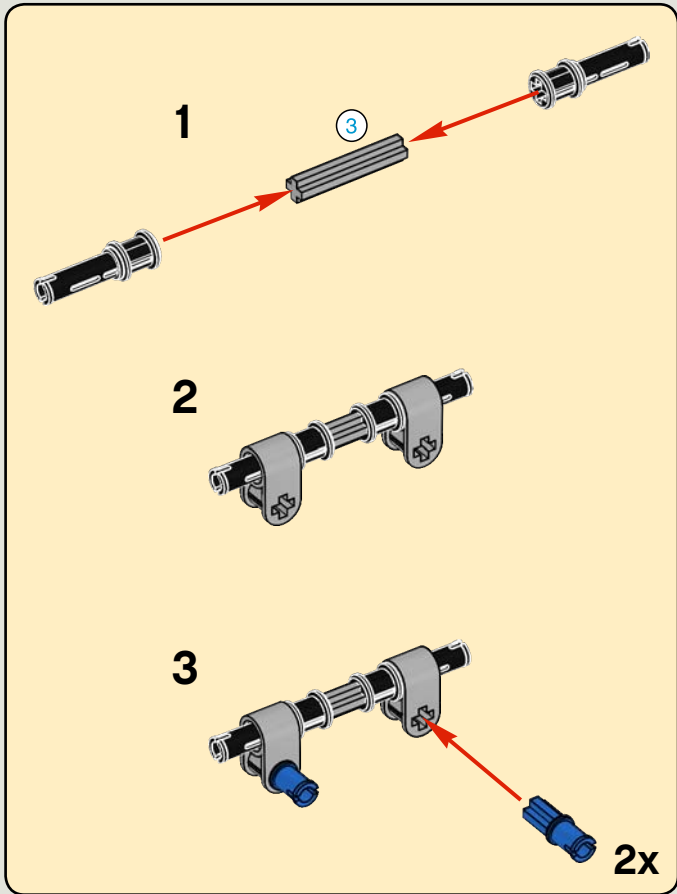


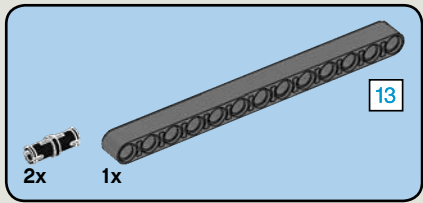
6



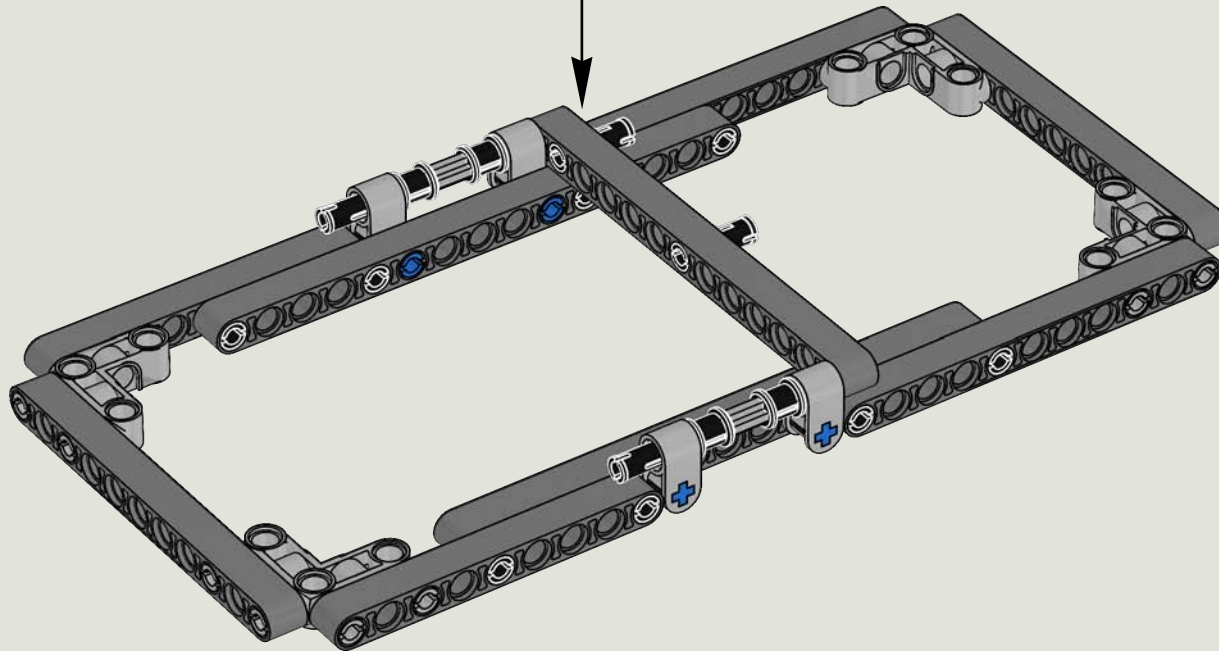
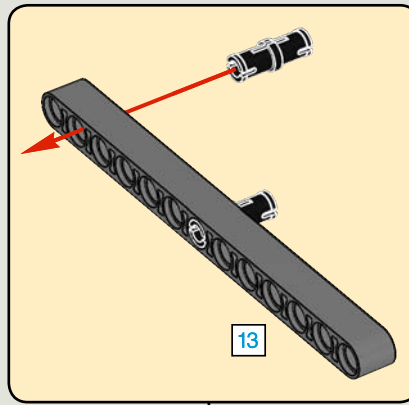


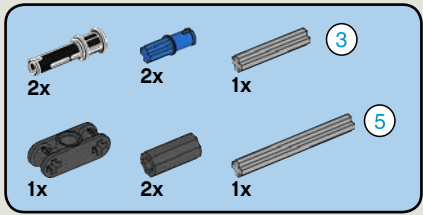
7



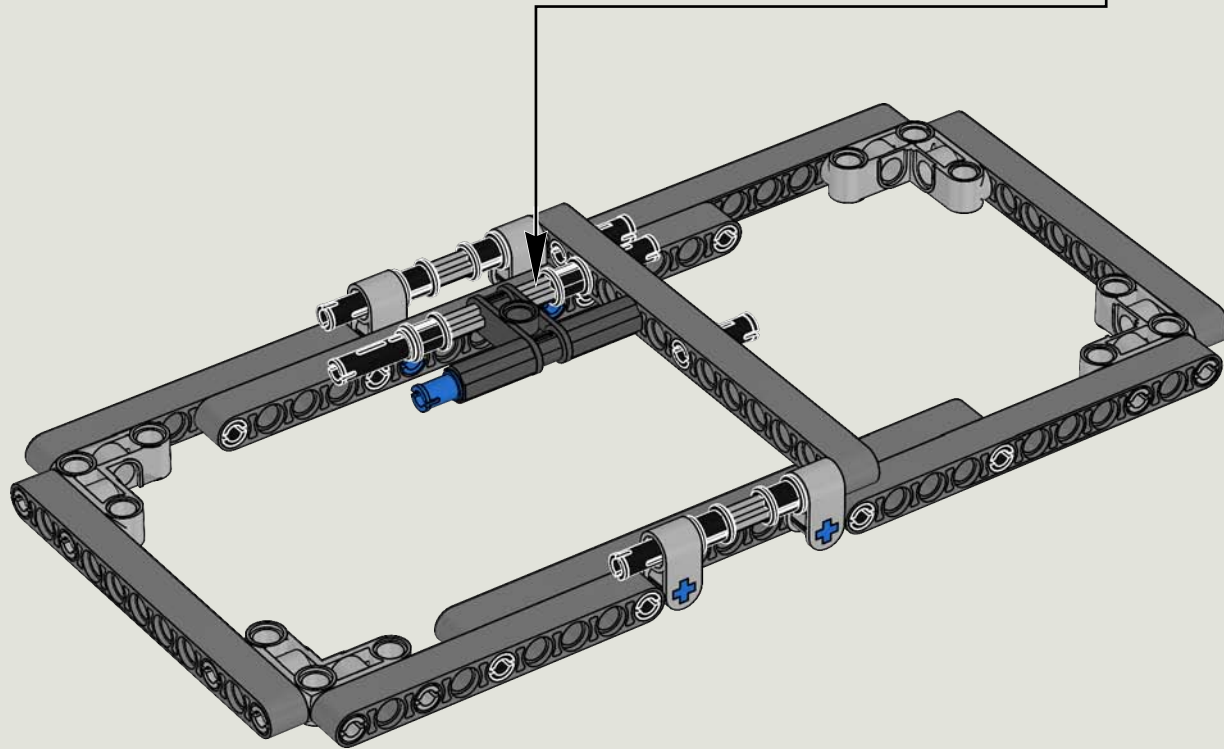
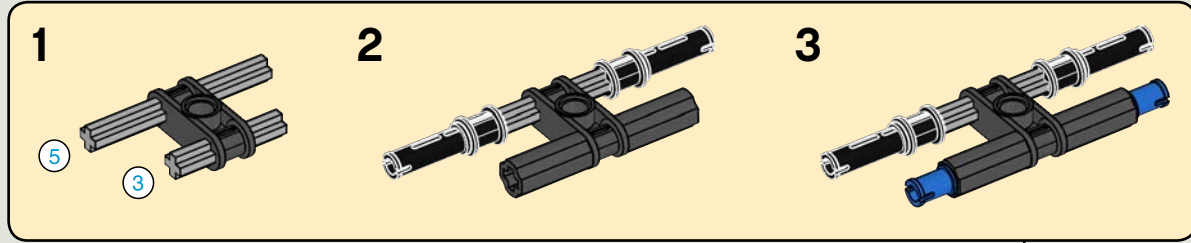


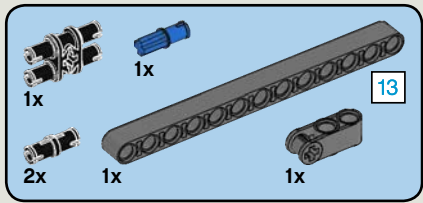
8



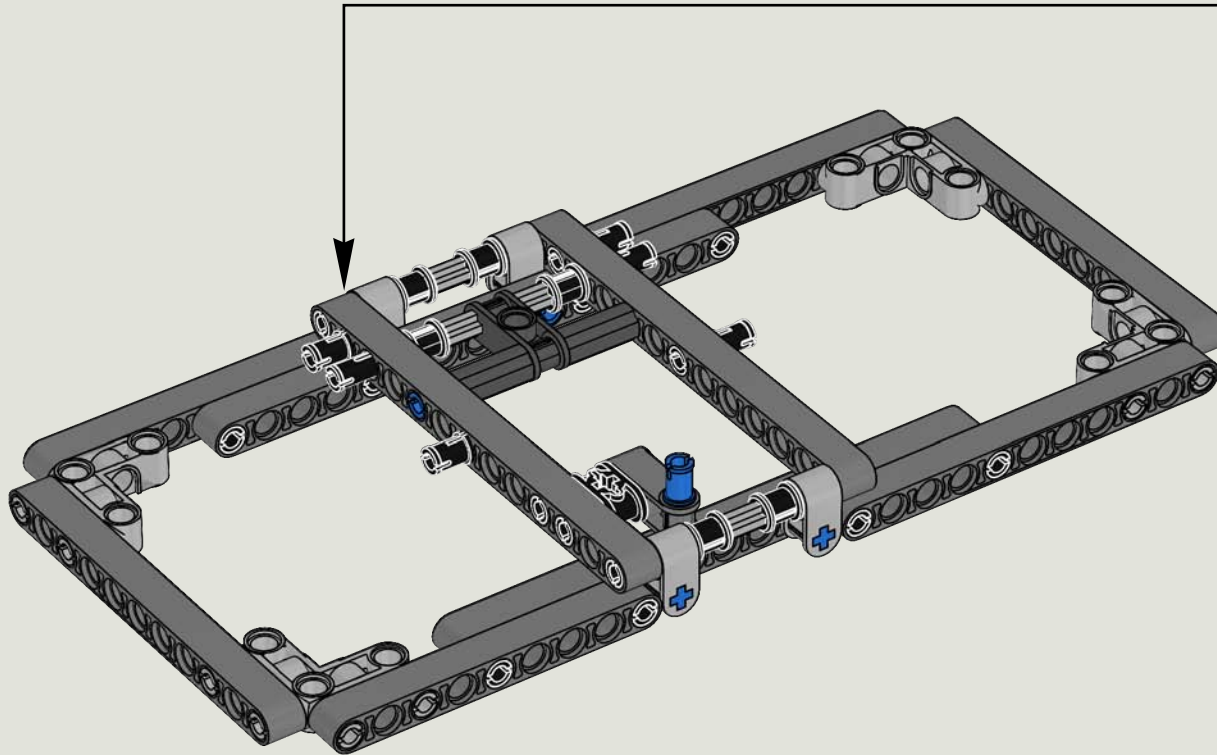
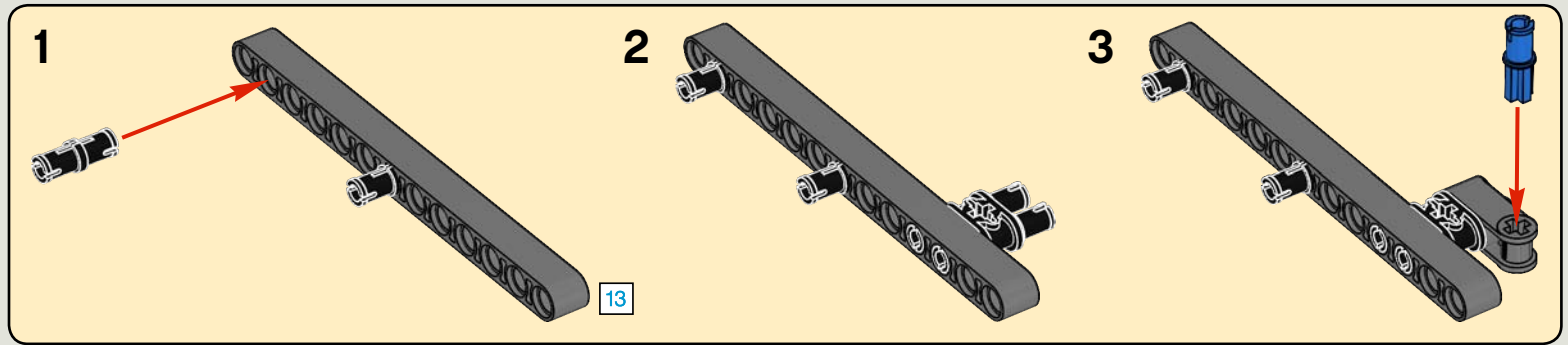


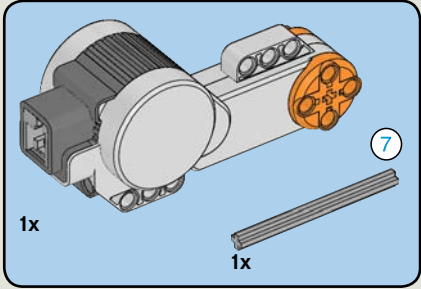
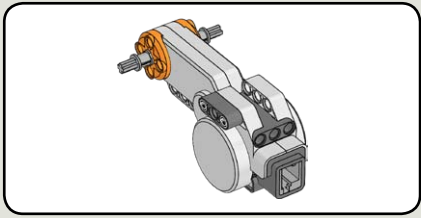
9



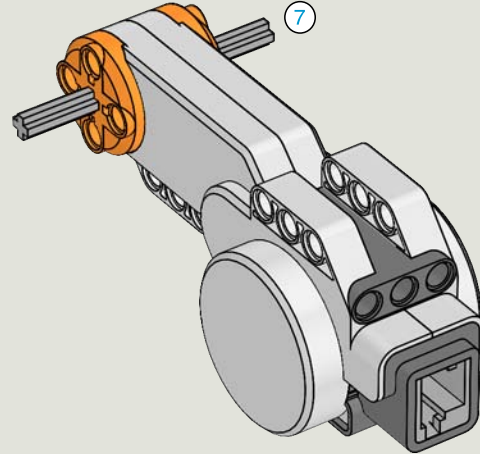


10





11



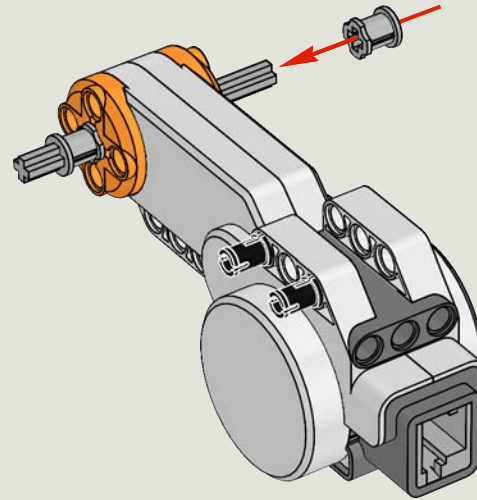


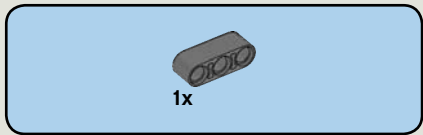
2x



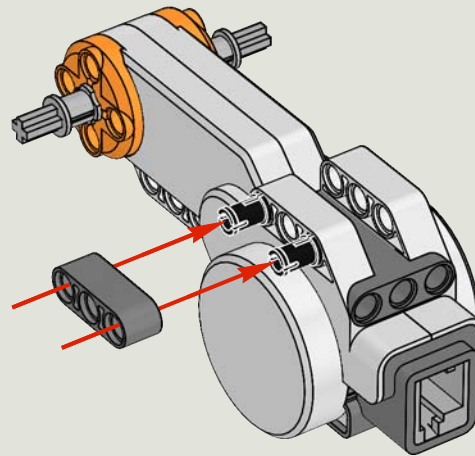
2x

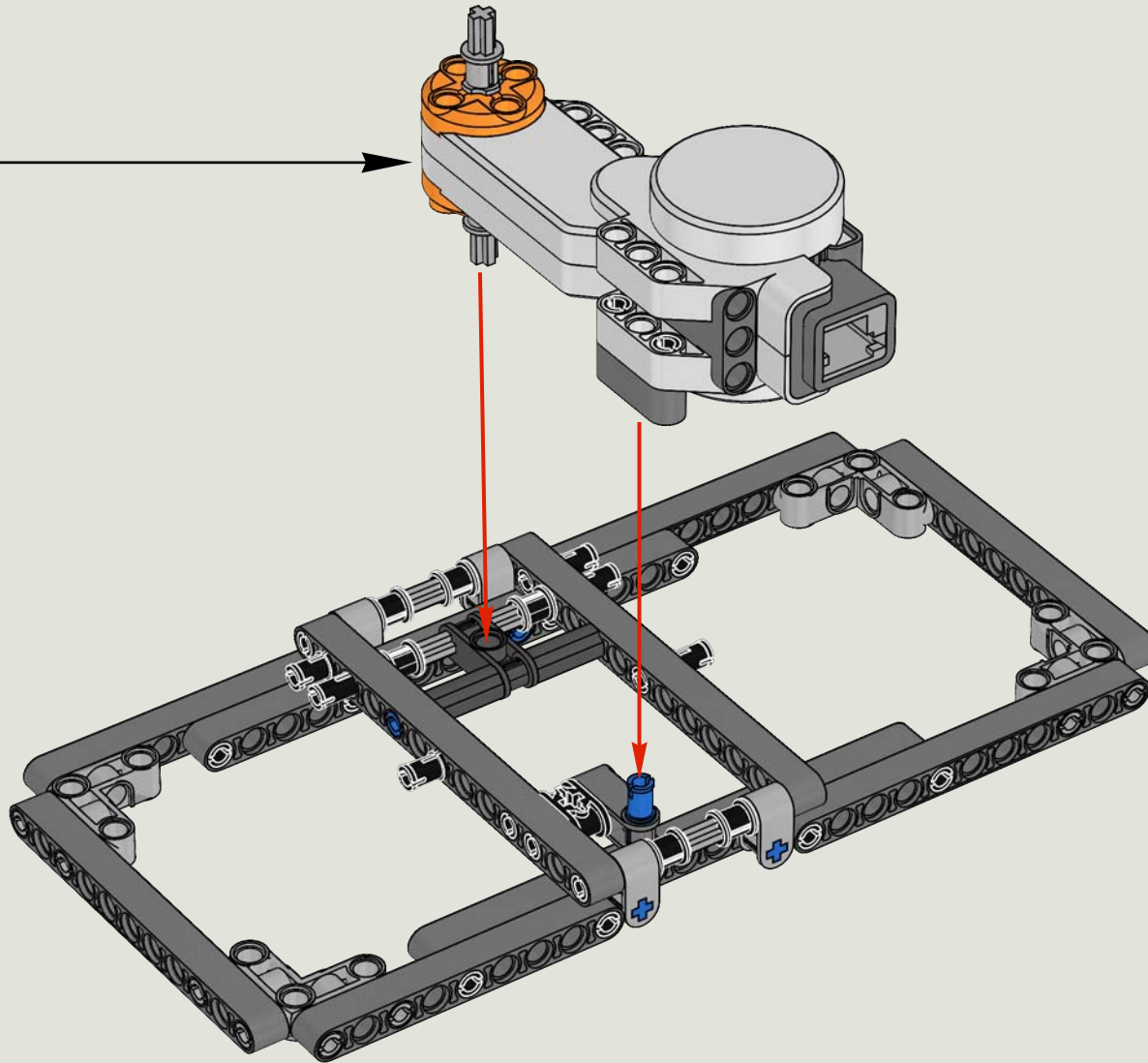
12

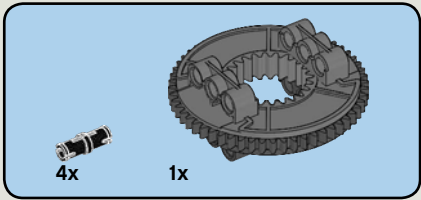
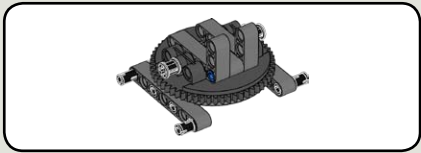




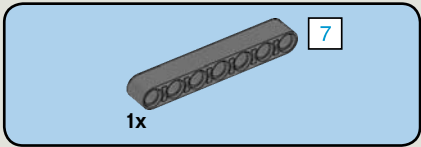
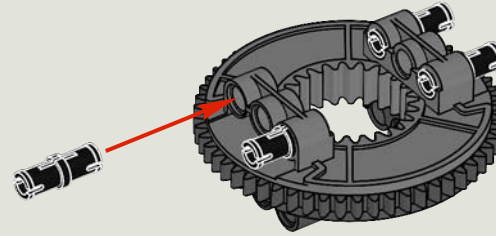
13



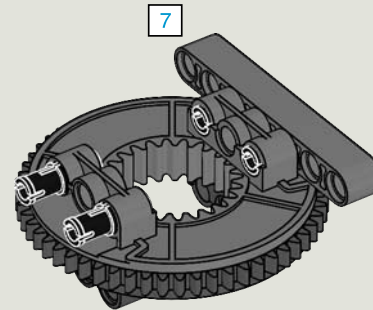


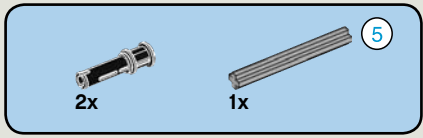


15

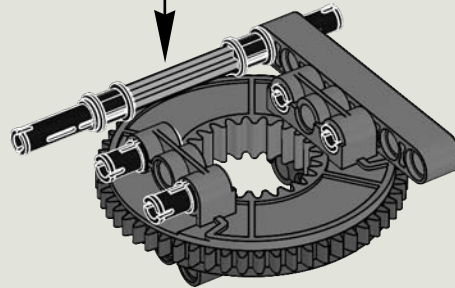
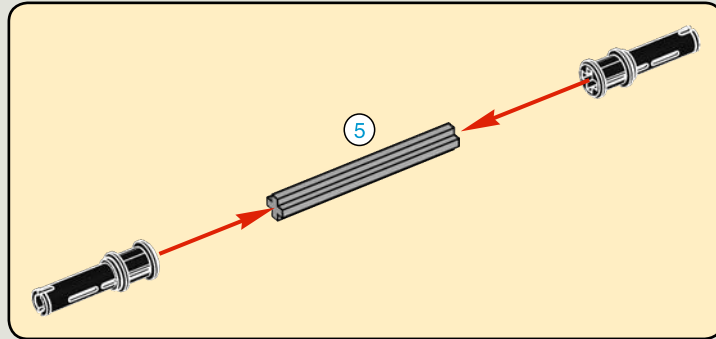


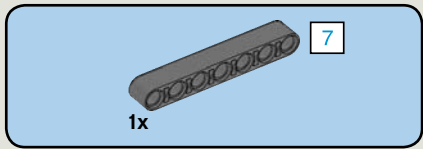
16



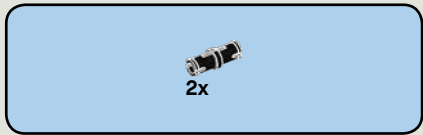
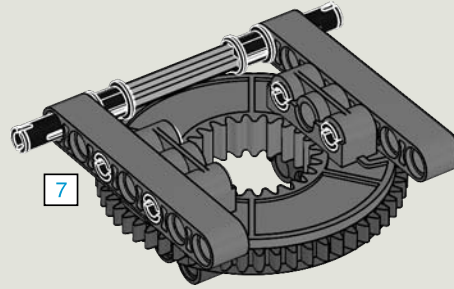


17

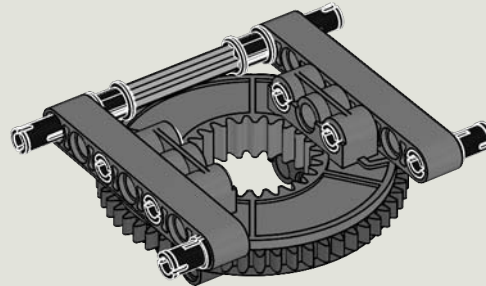




18



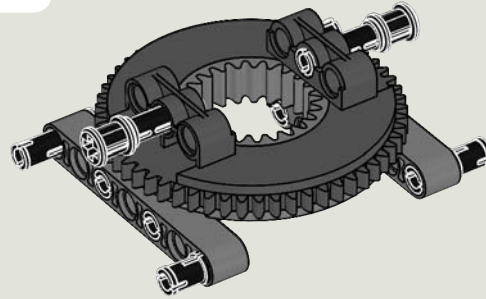
19

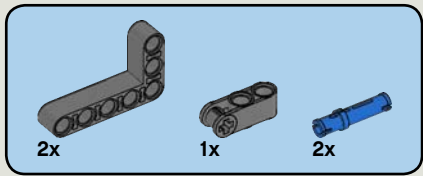




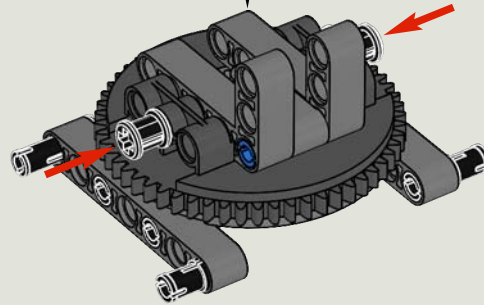
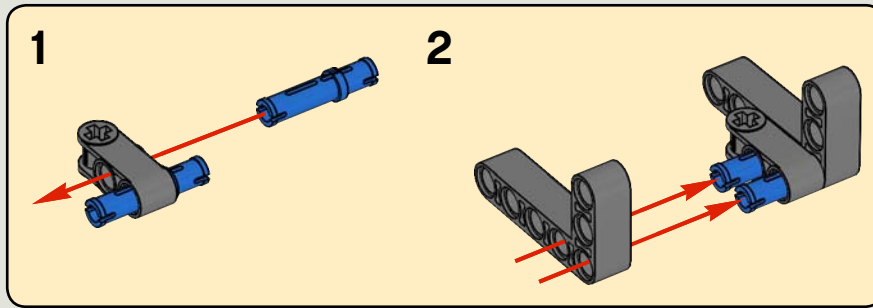
2x

20

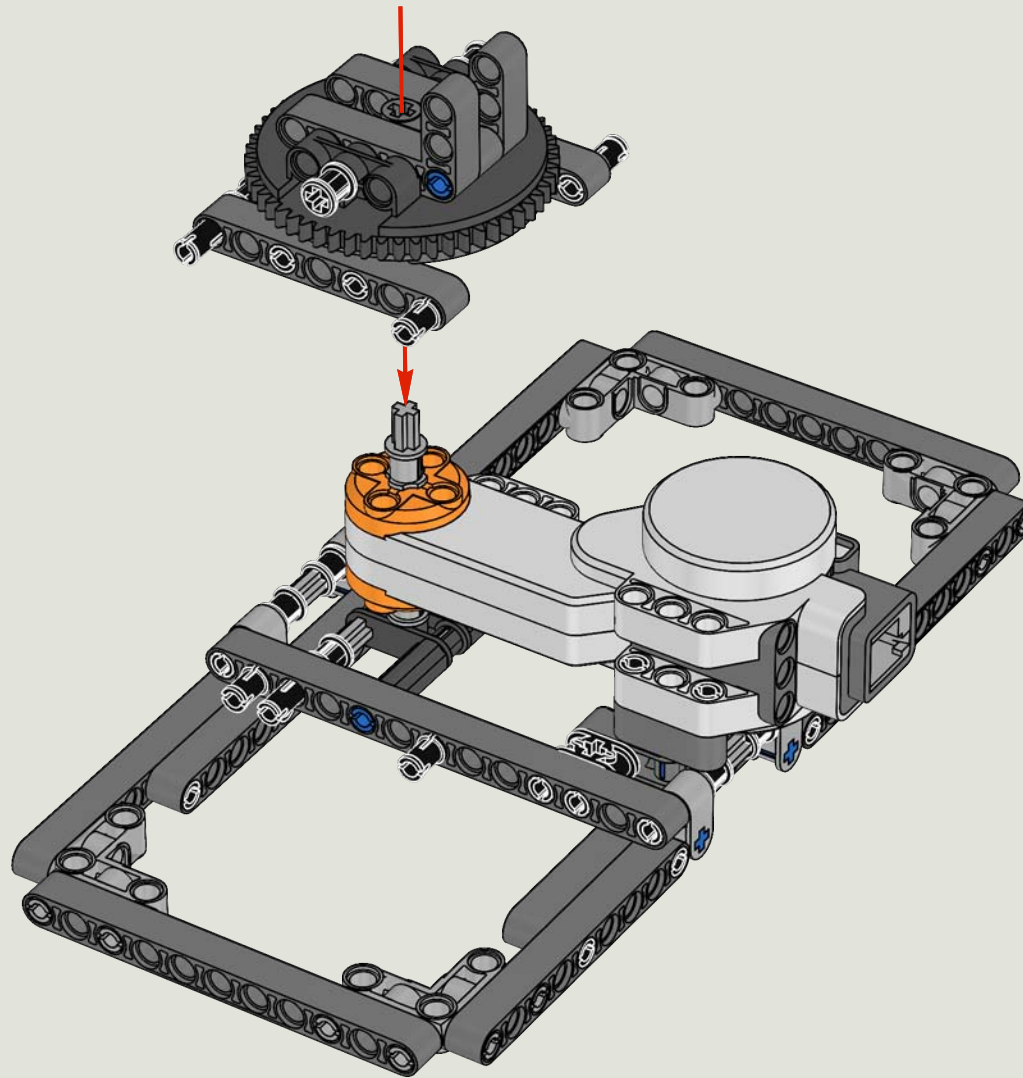


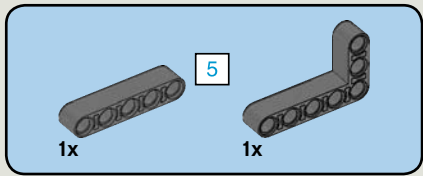


21

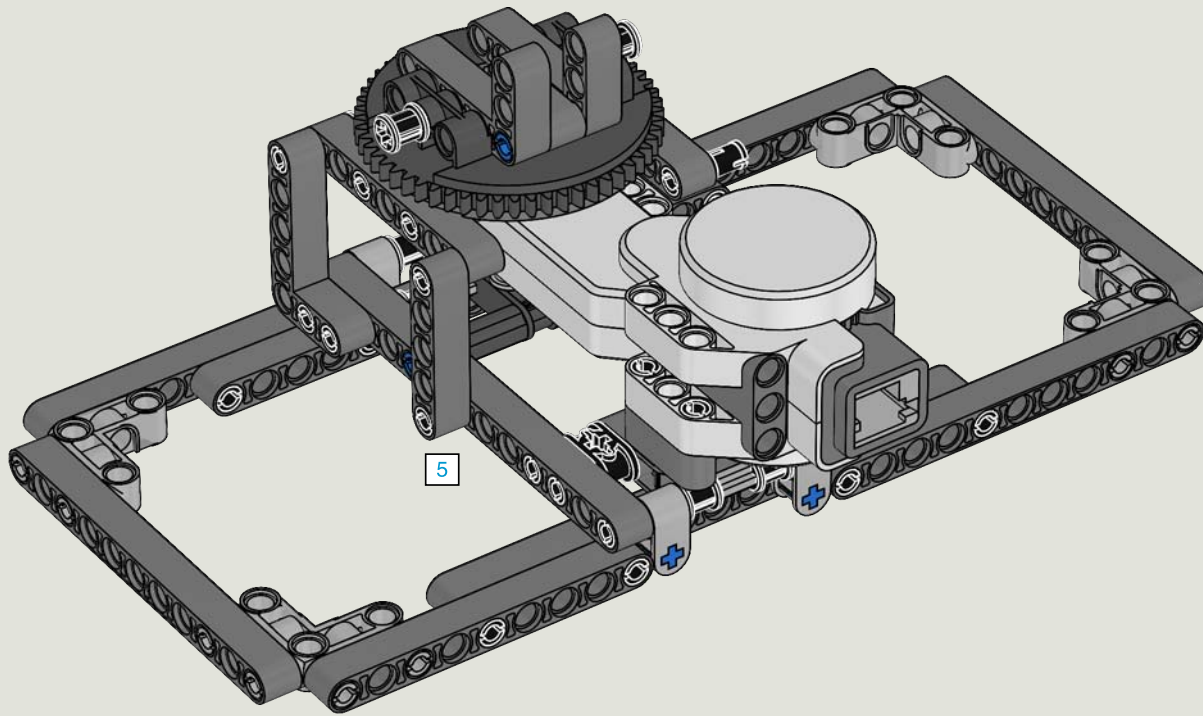


22





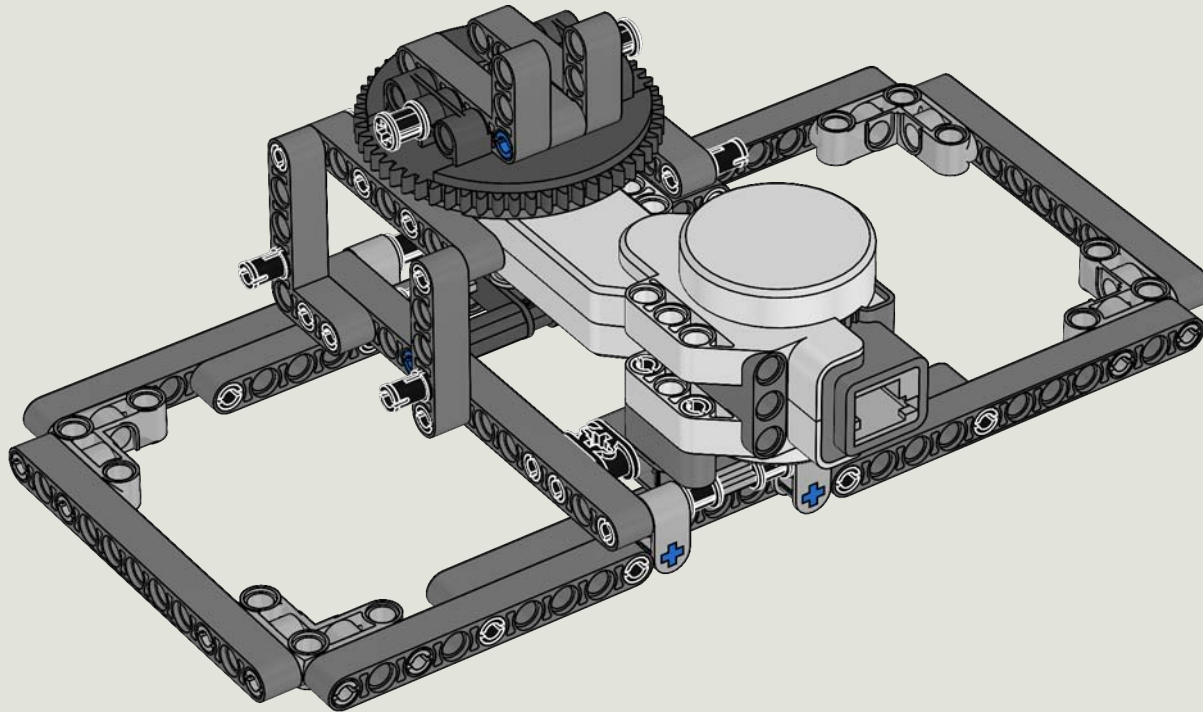
23

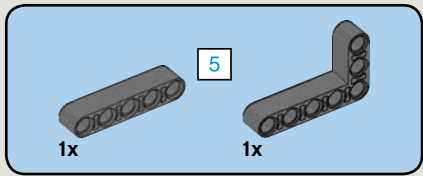




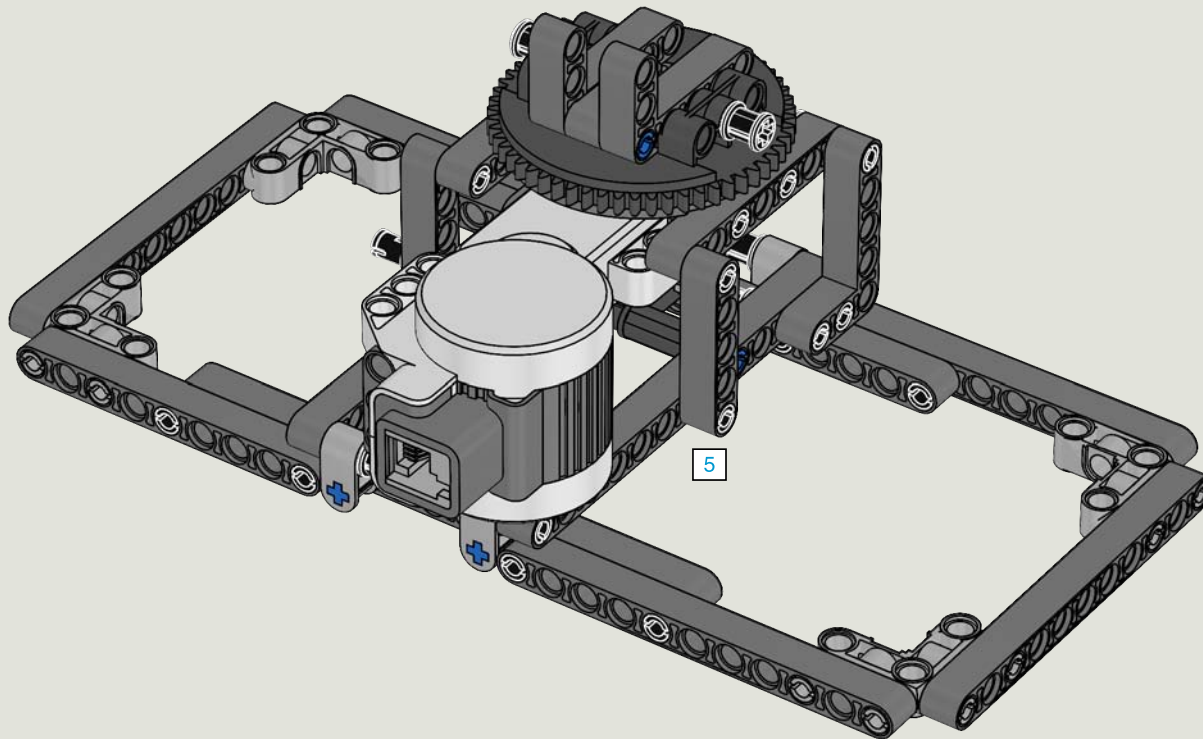
2x

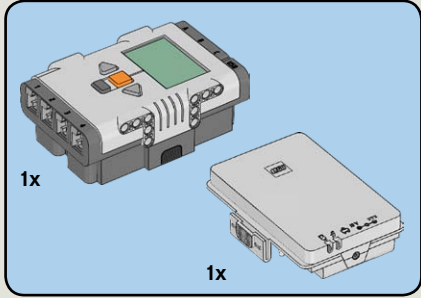
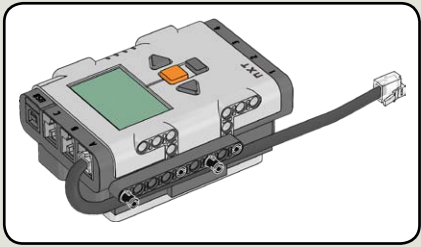
24



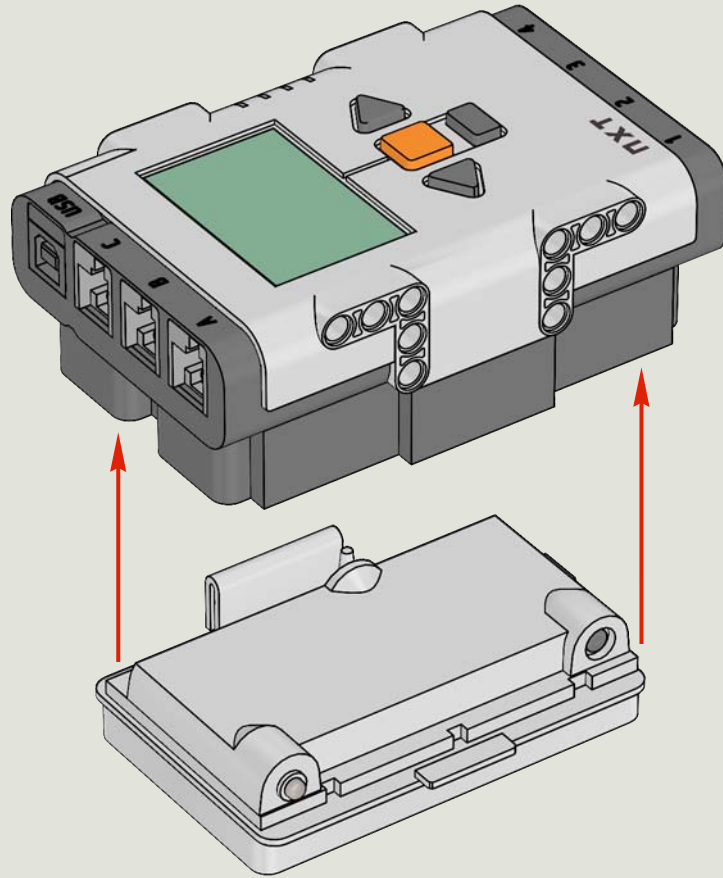


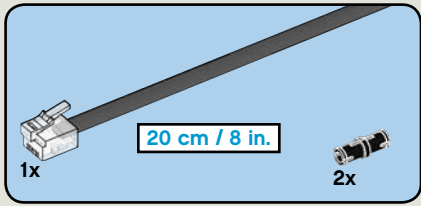
25



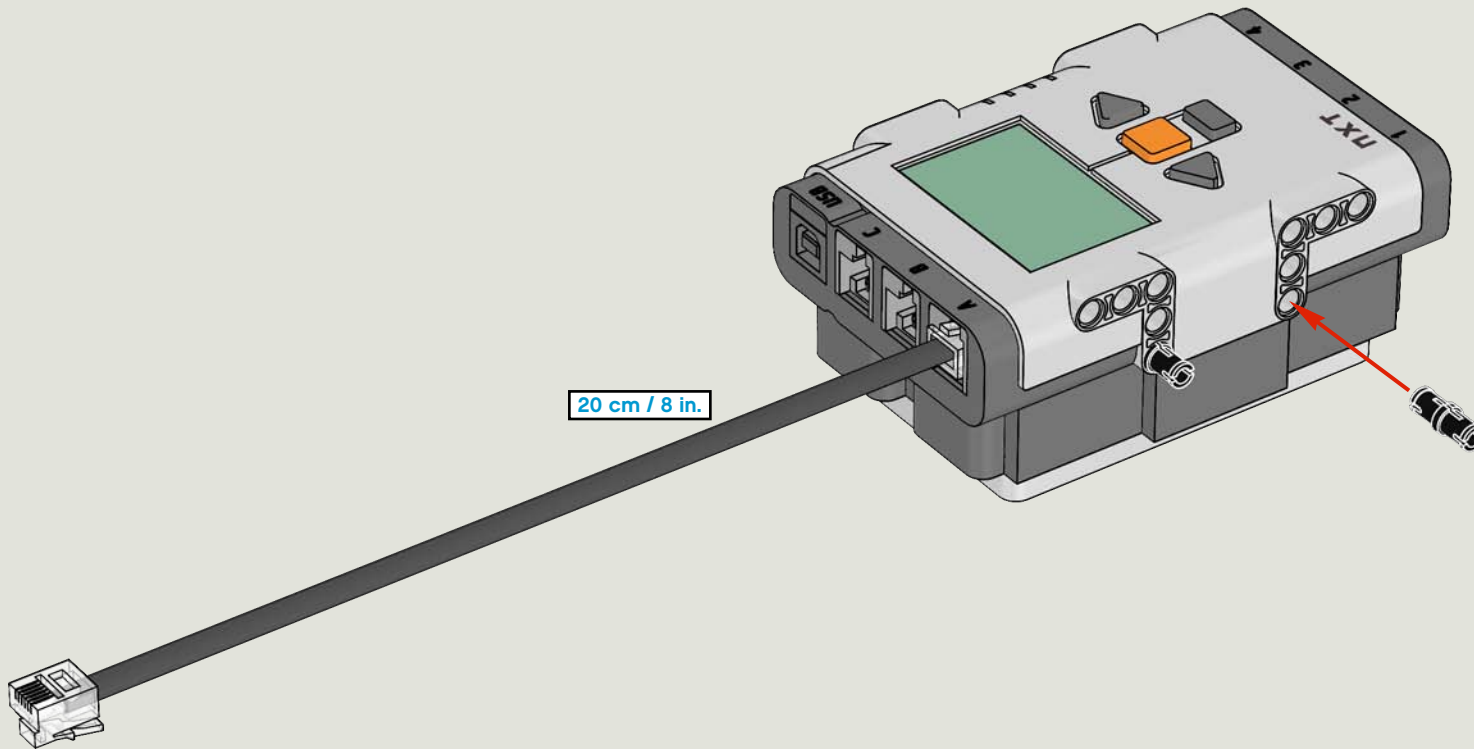


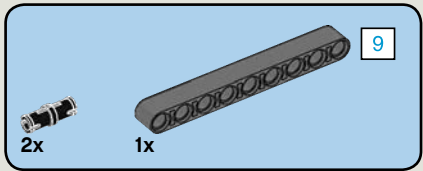
26



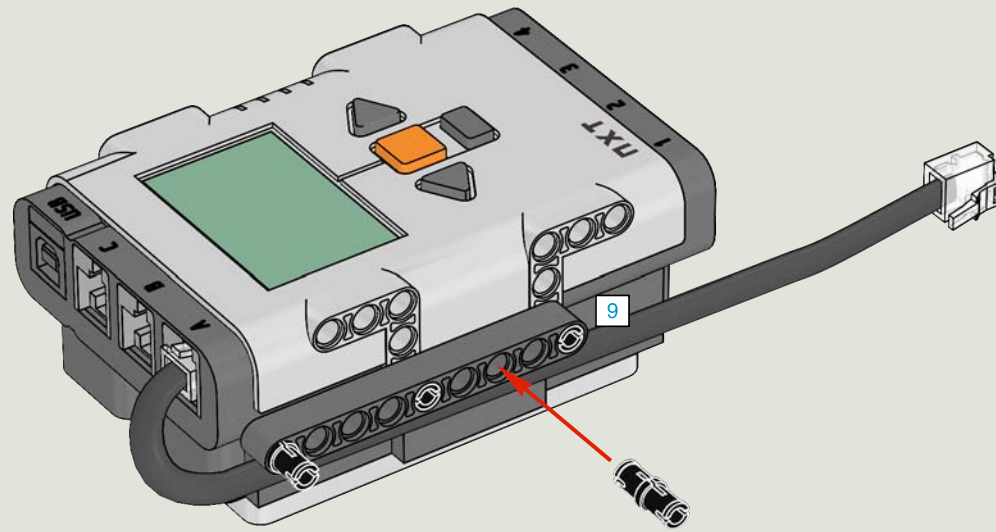


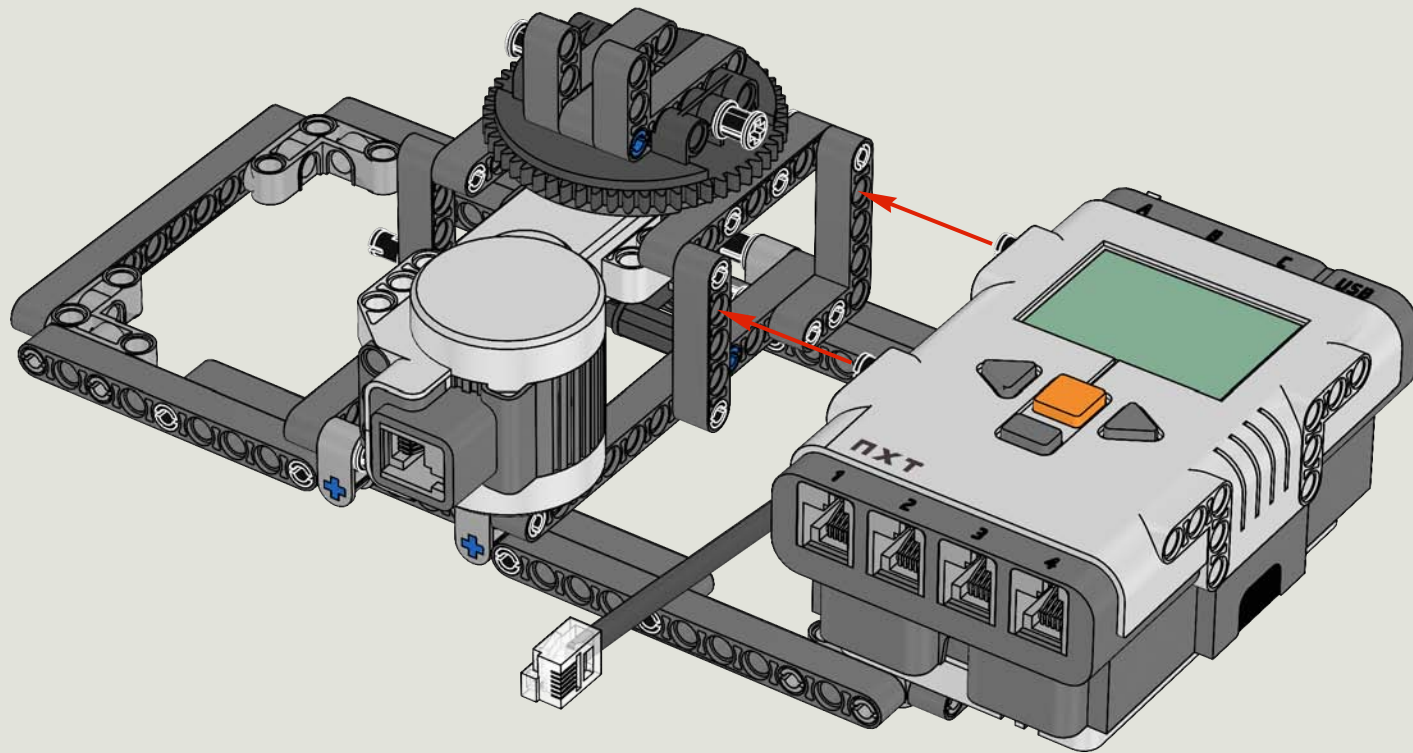
27

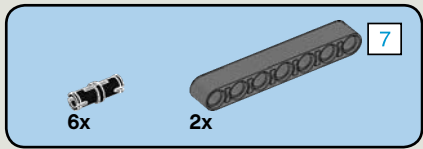




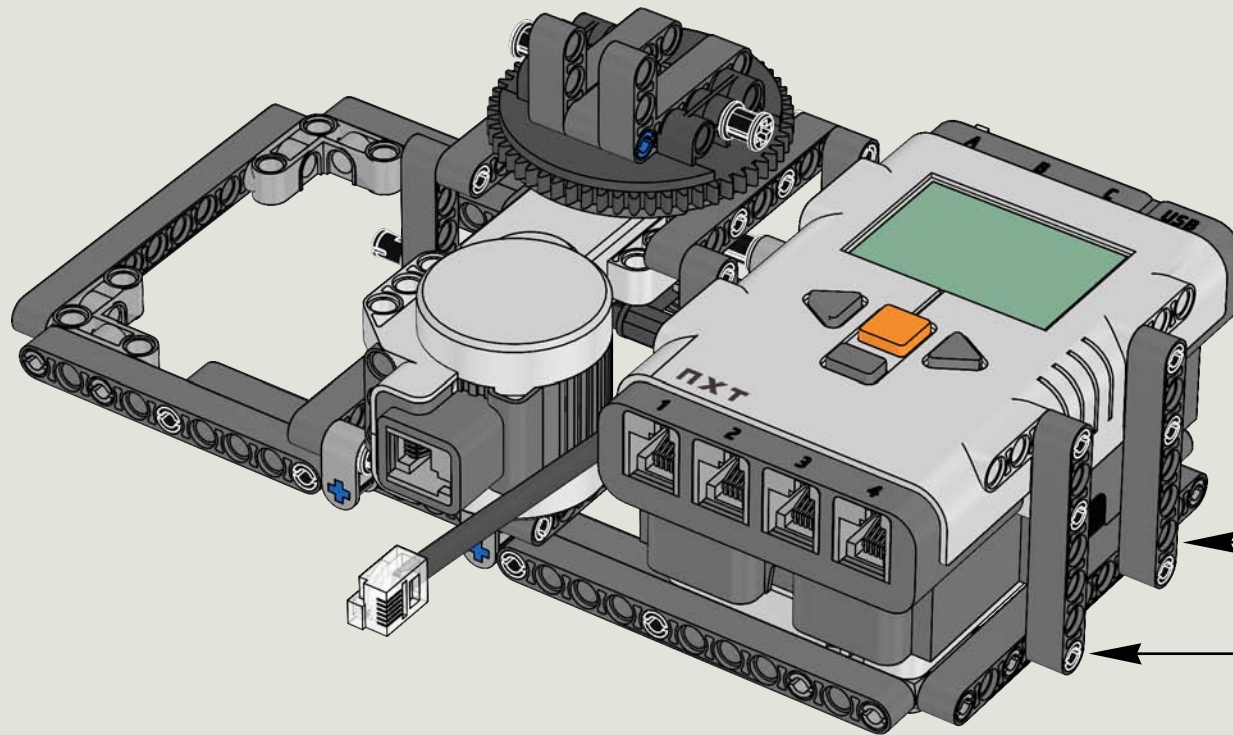
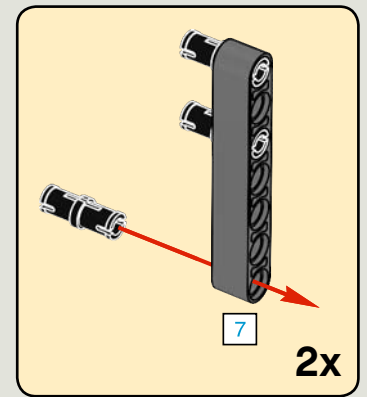
28



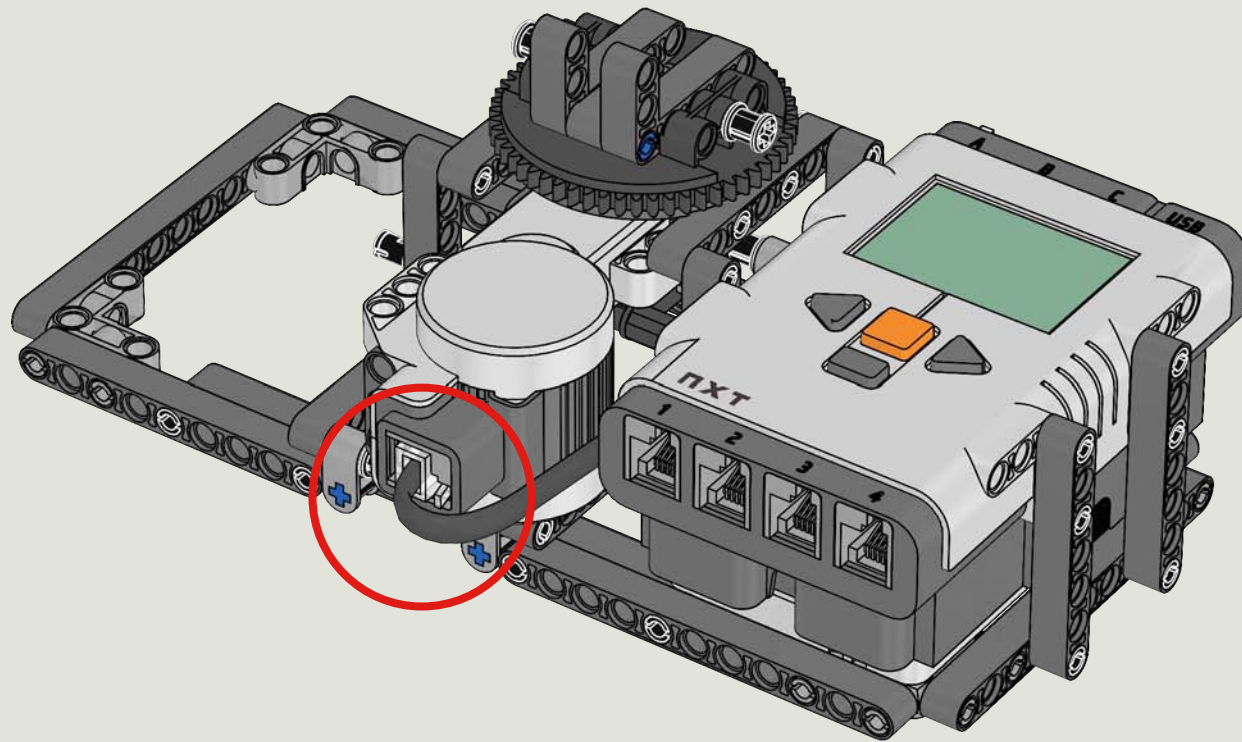


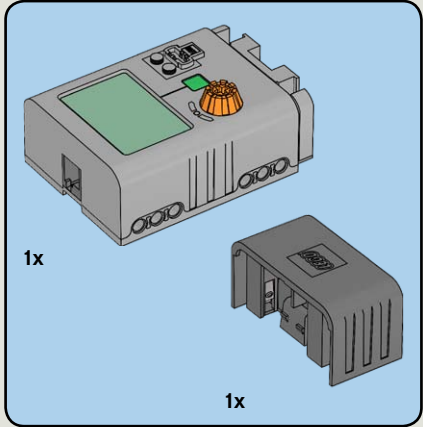
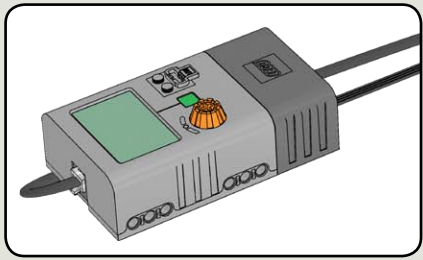


30

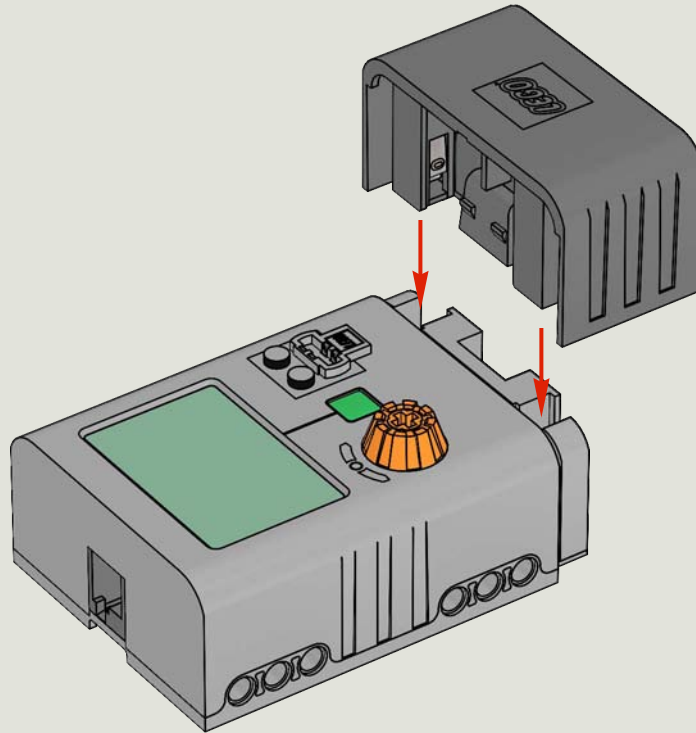


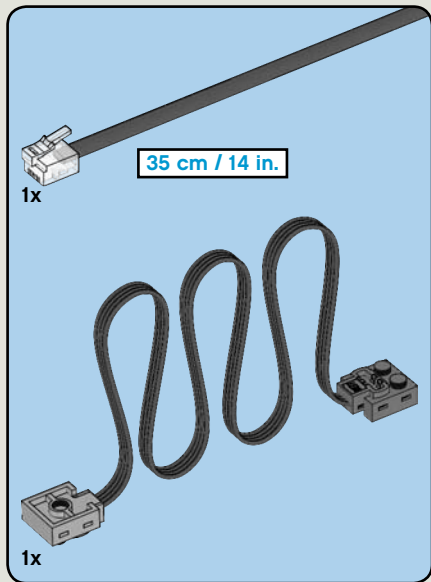
31



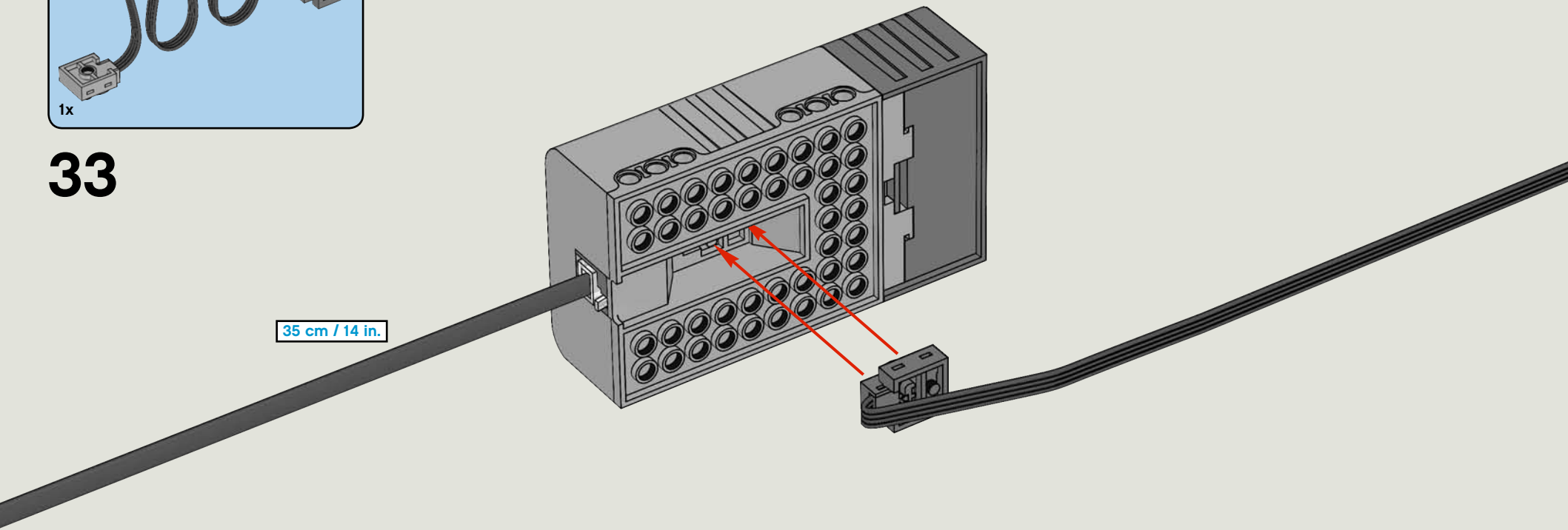


32

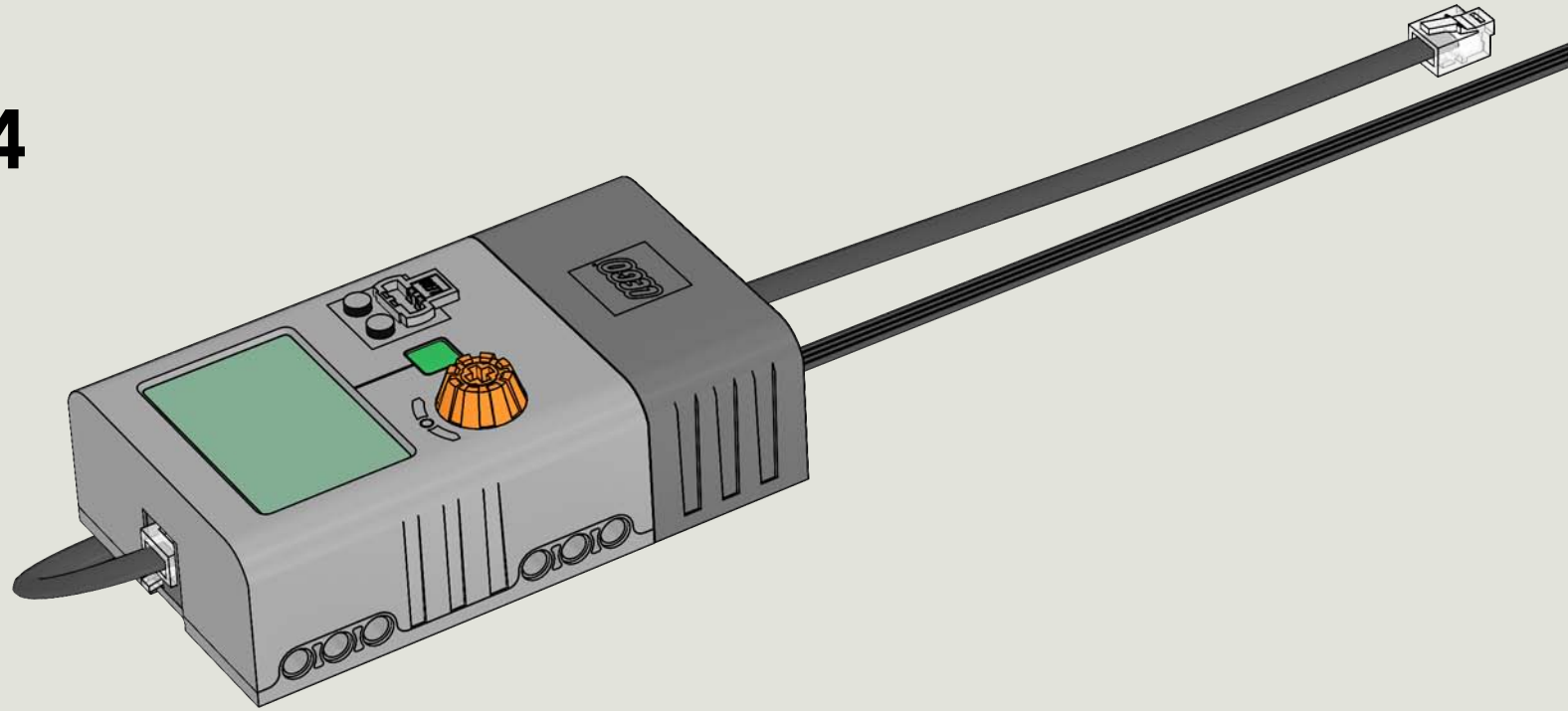


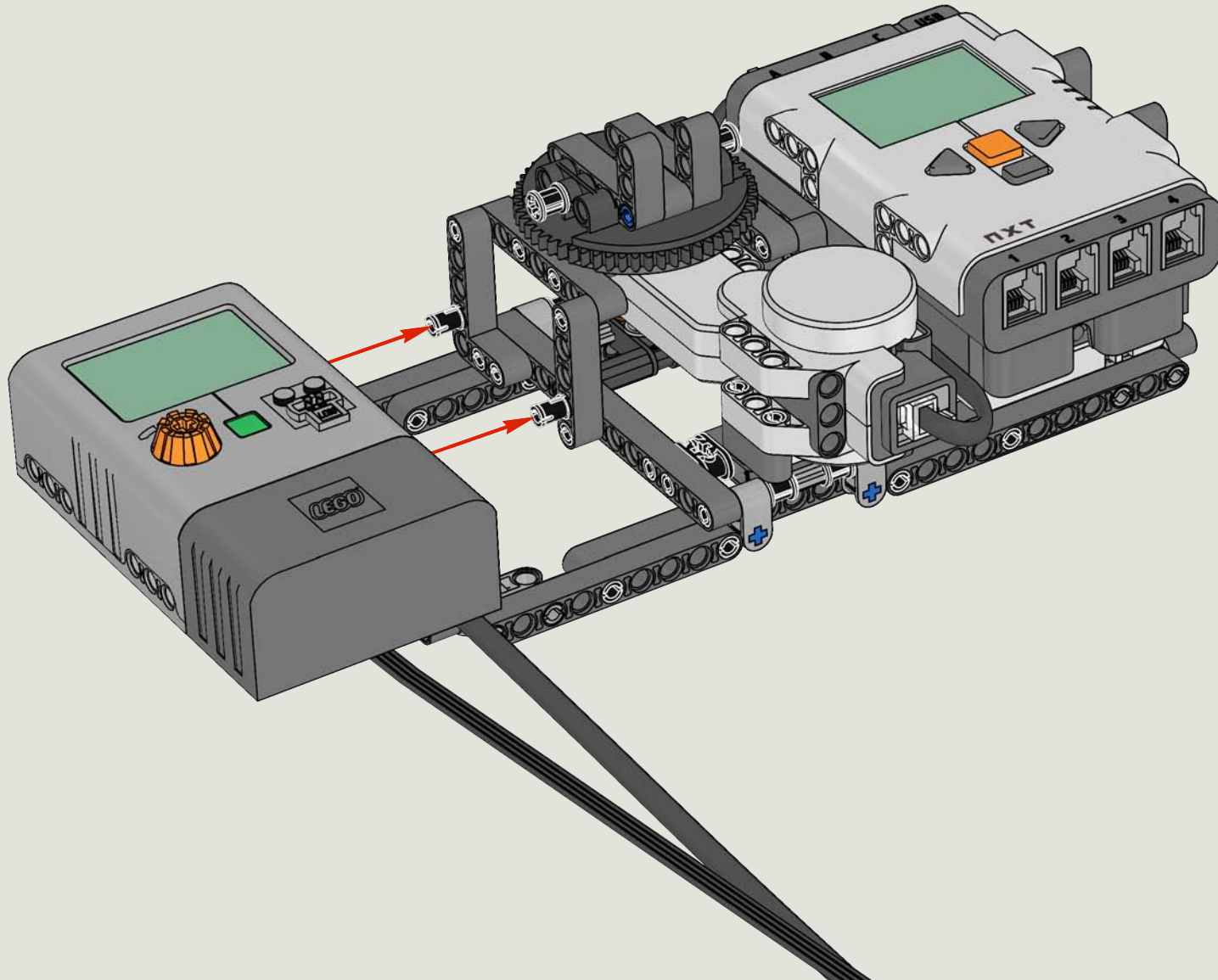


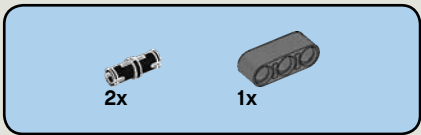
33



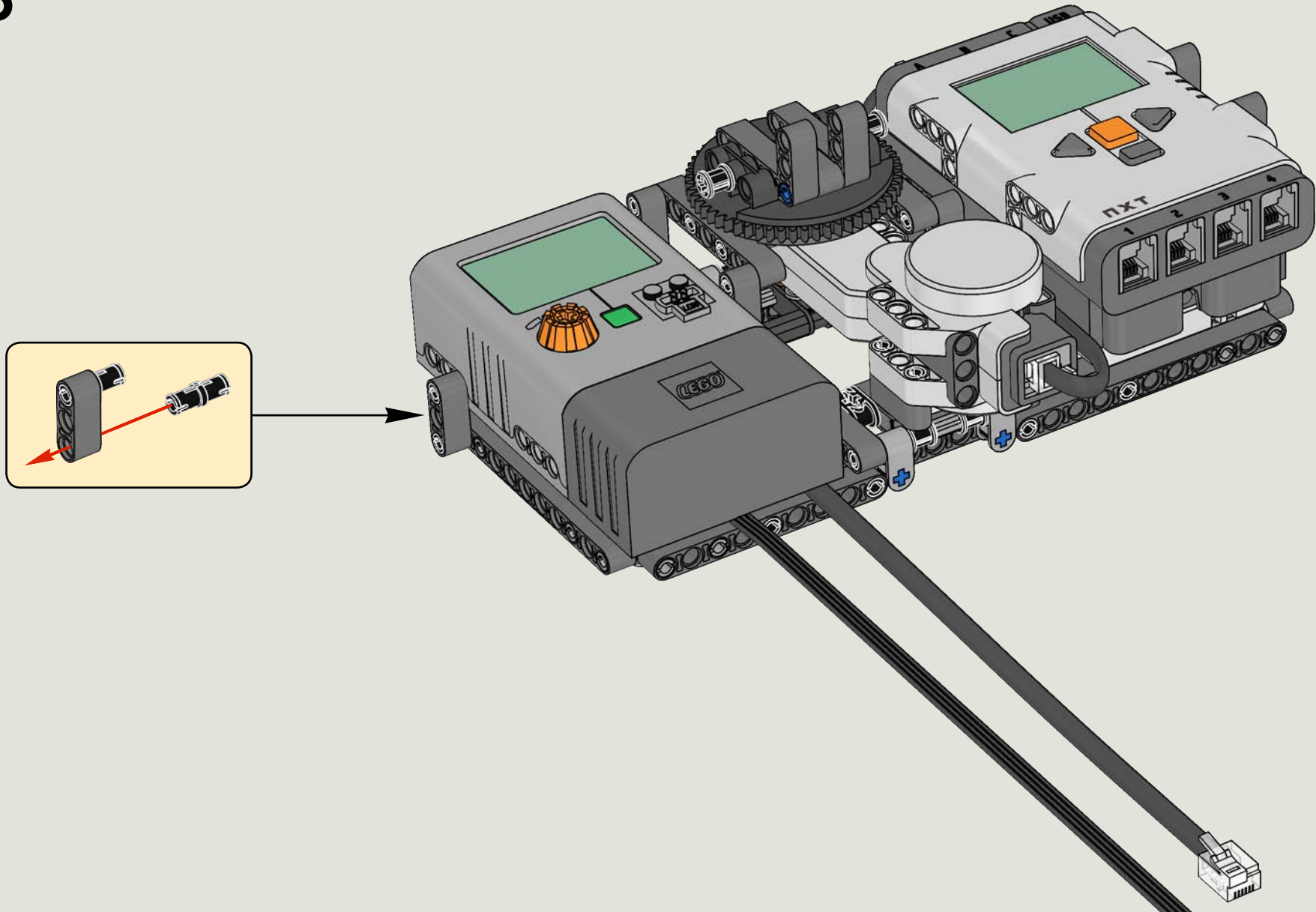
34

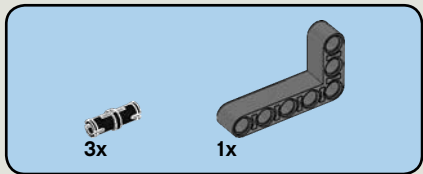




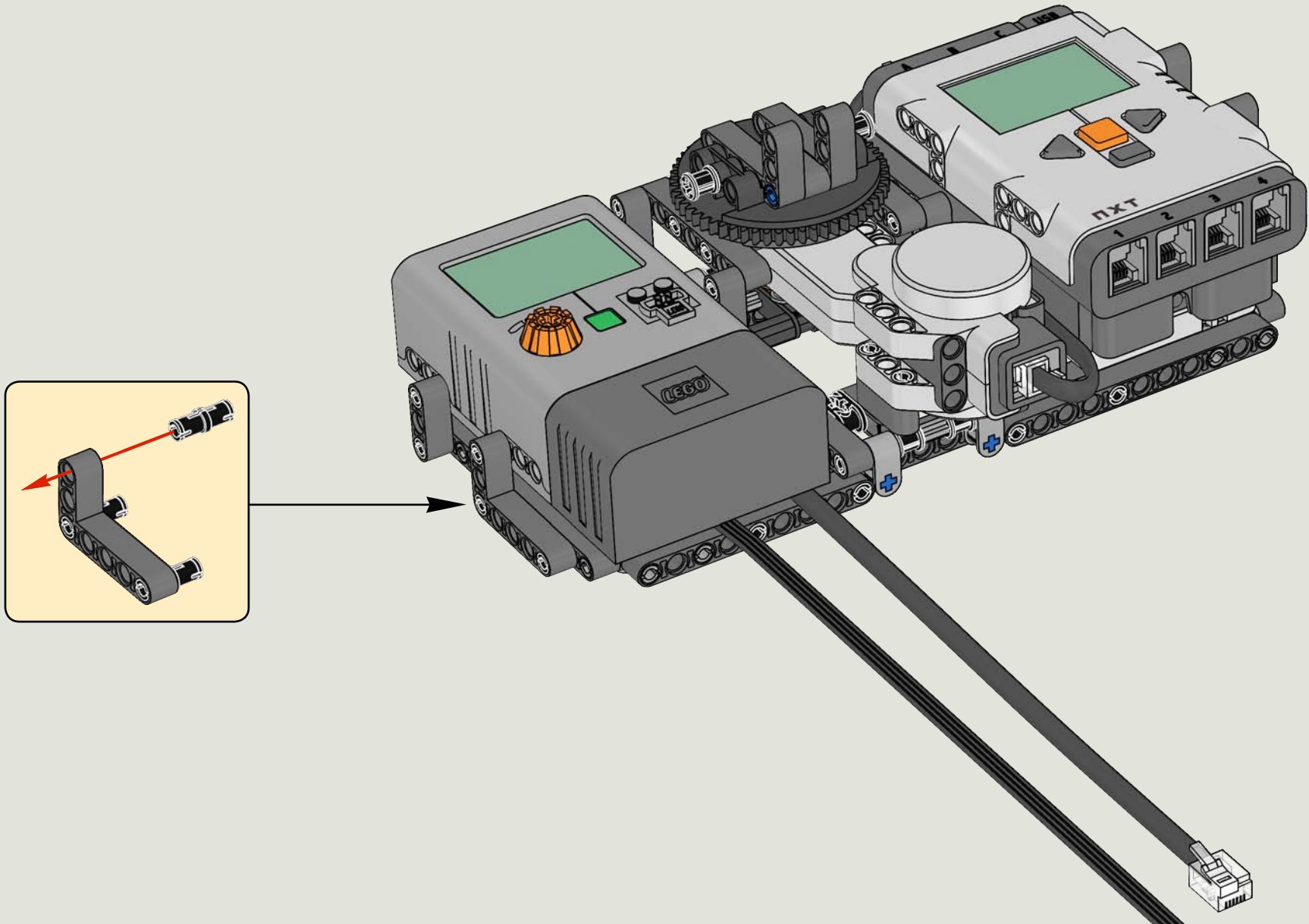


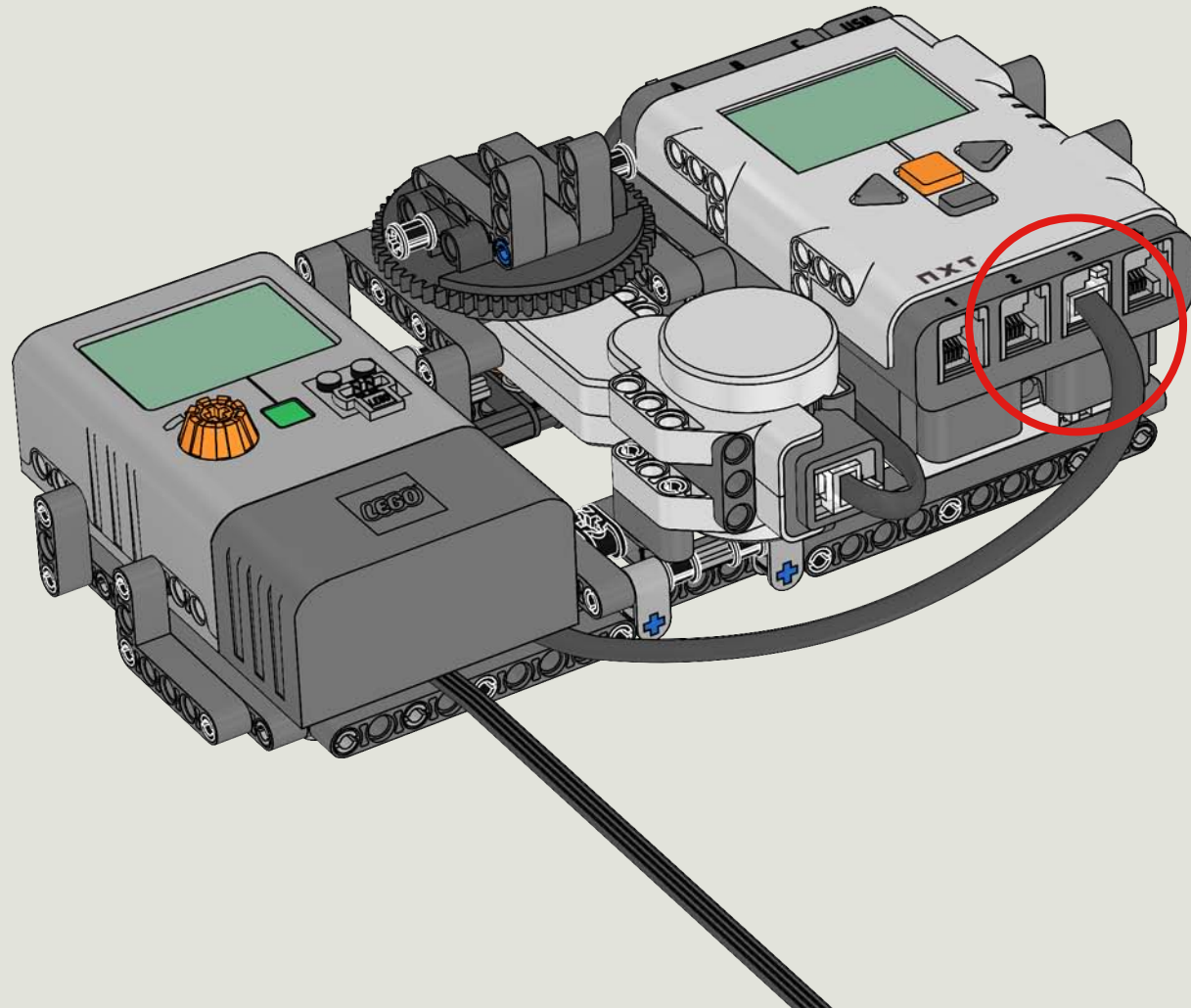
36

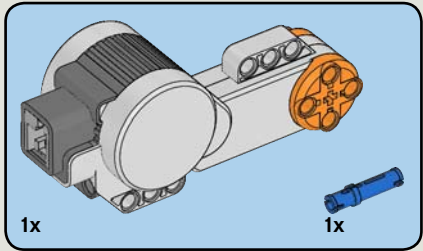




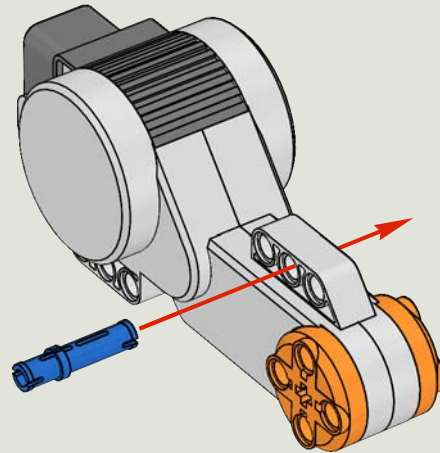
37





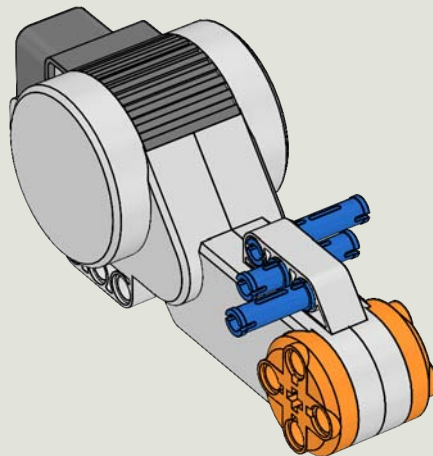


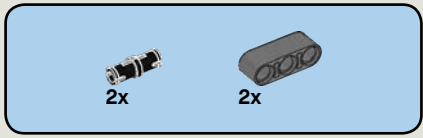
1



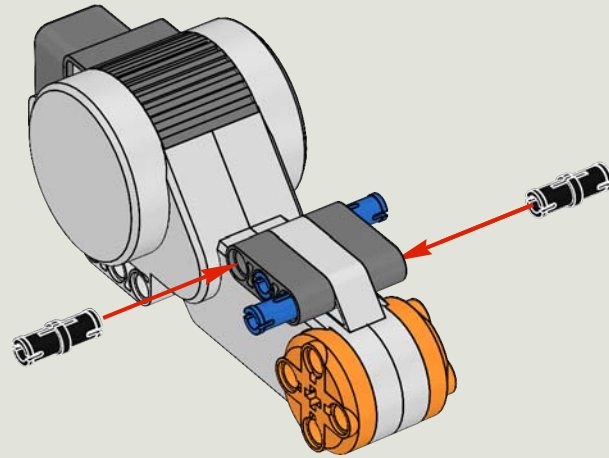


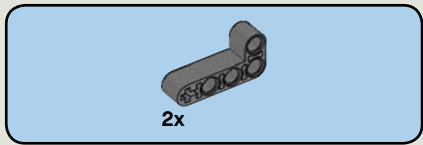
2



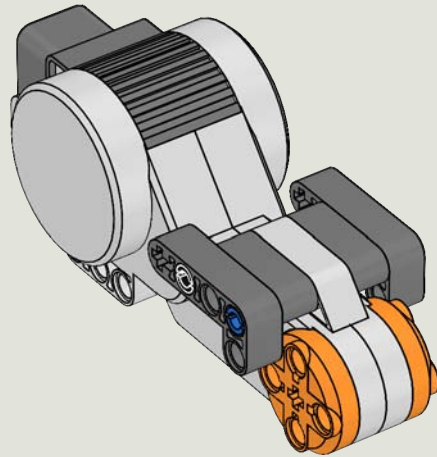


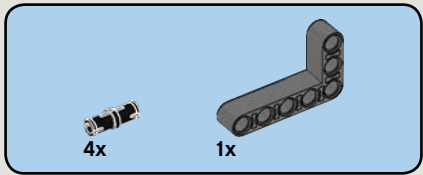
3



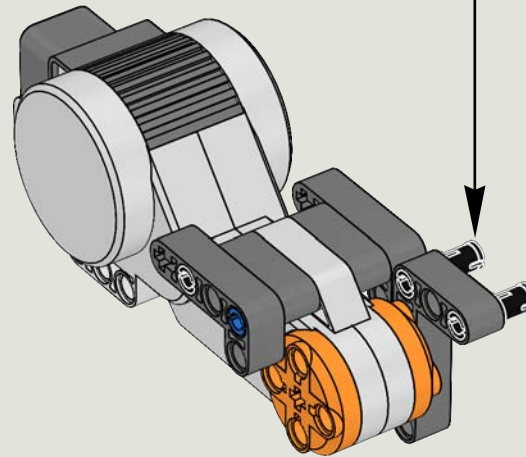
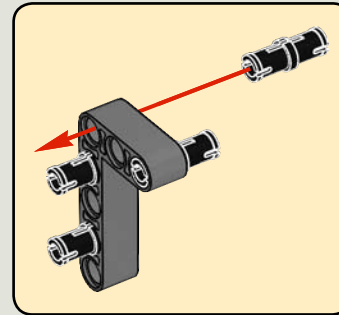


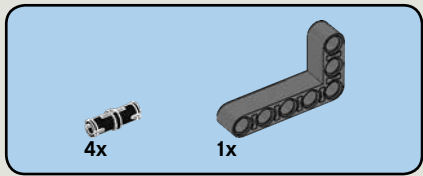
4



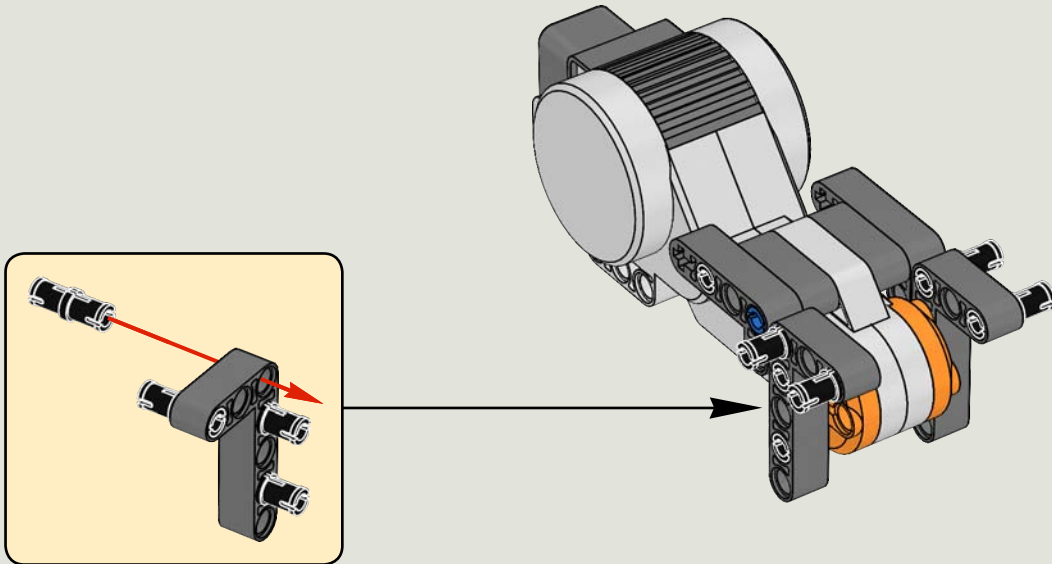


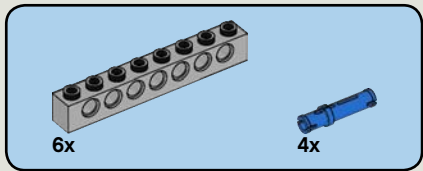
5



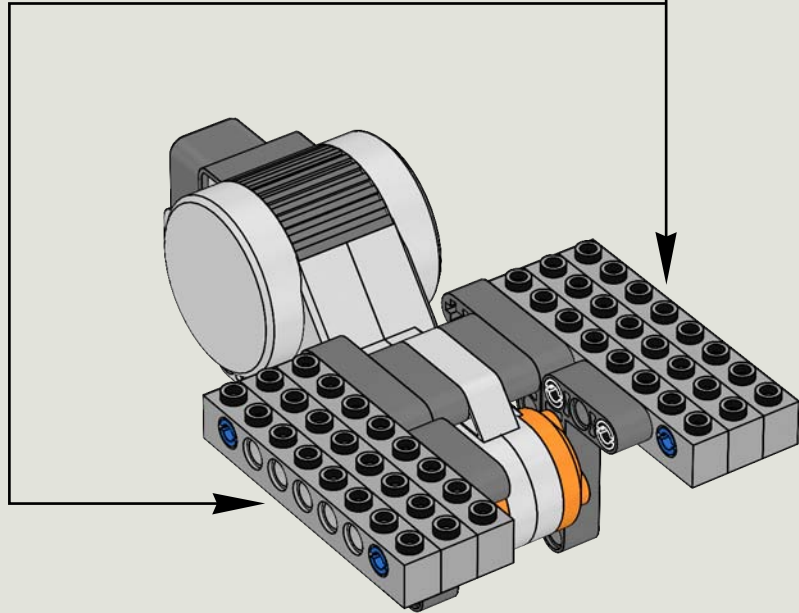
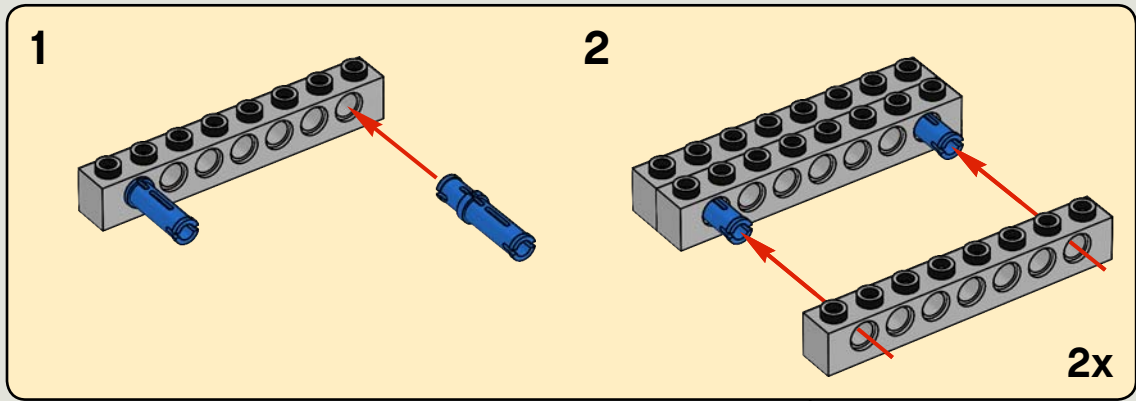


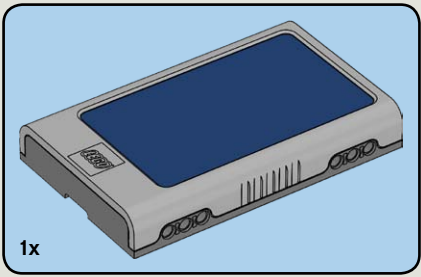
6



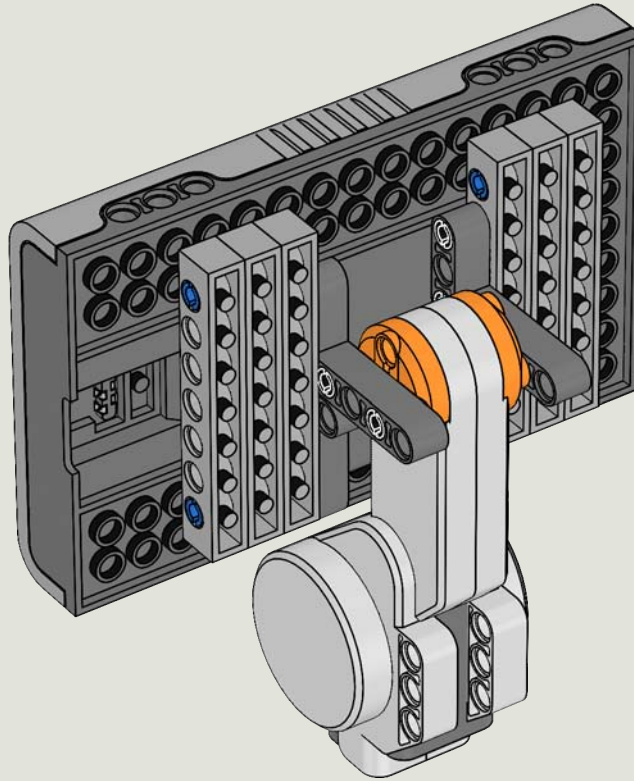


7





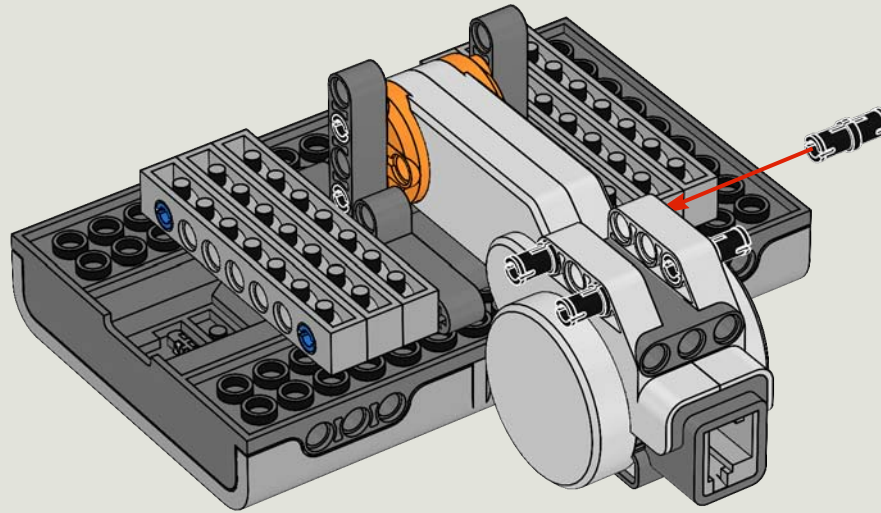
8

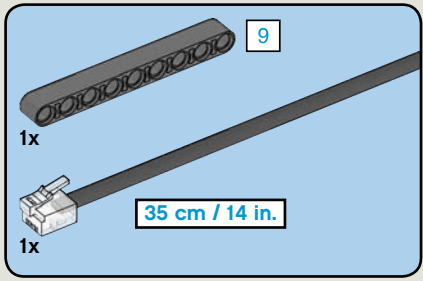




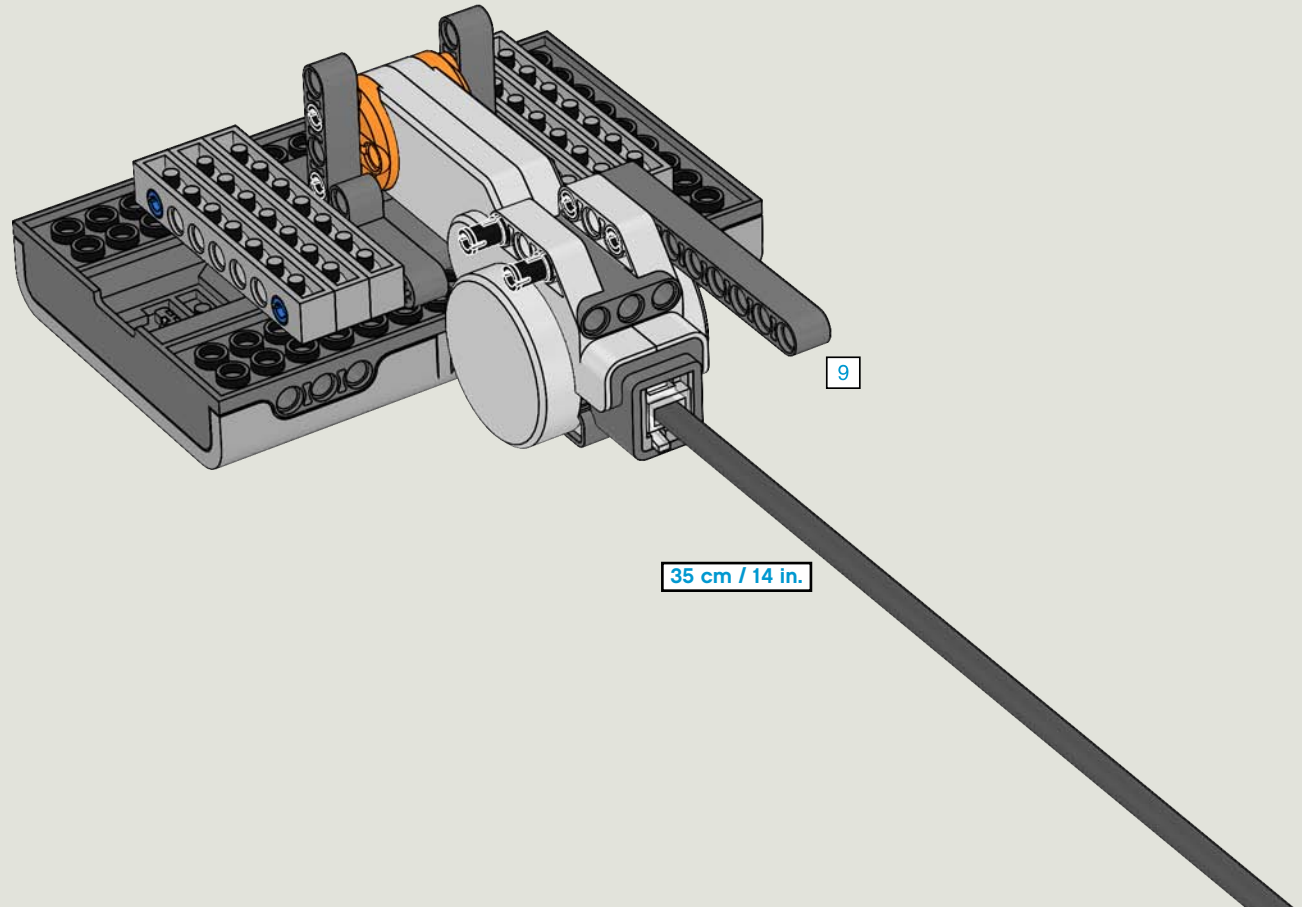
4x

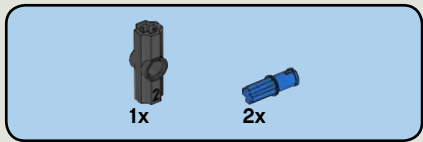
9



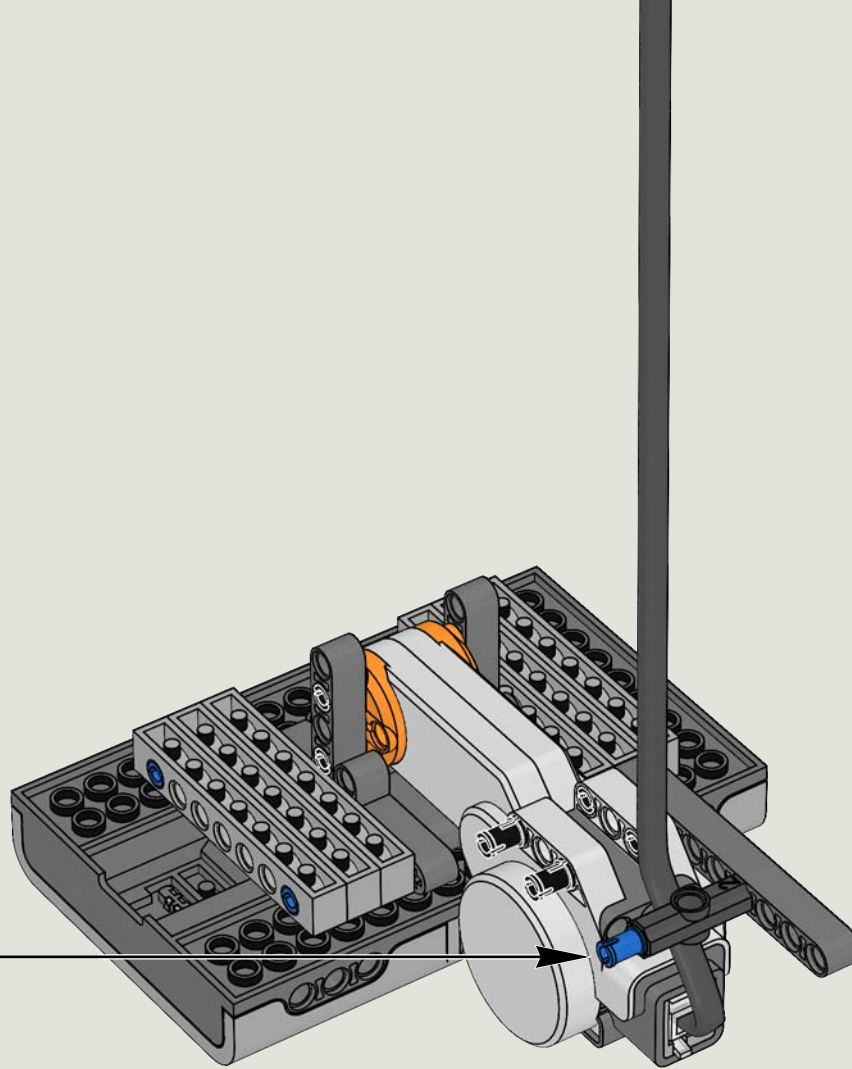
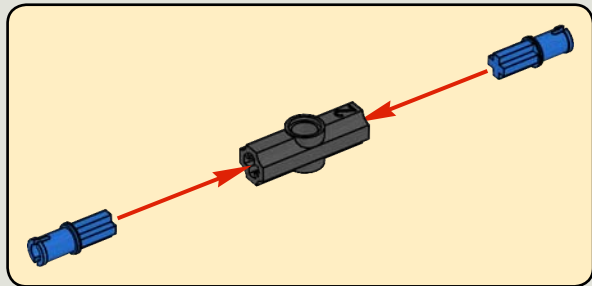


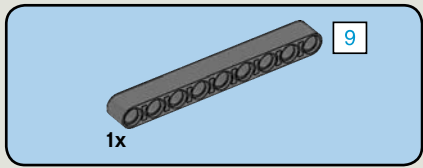
10



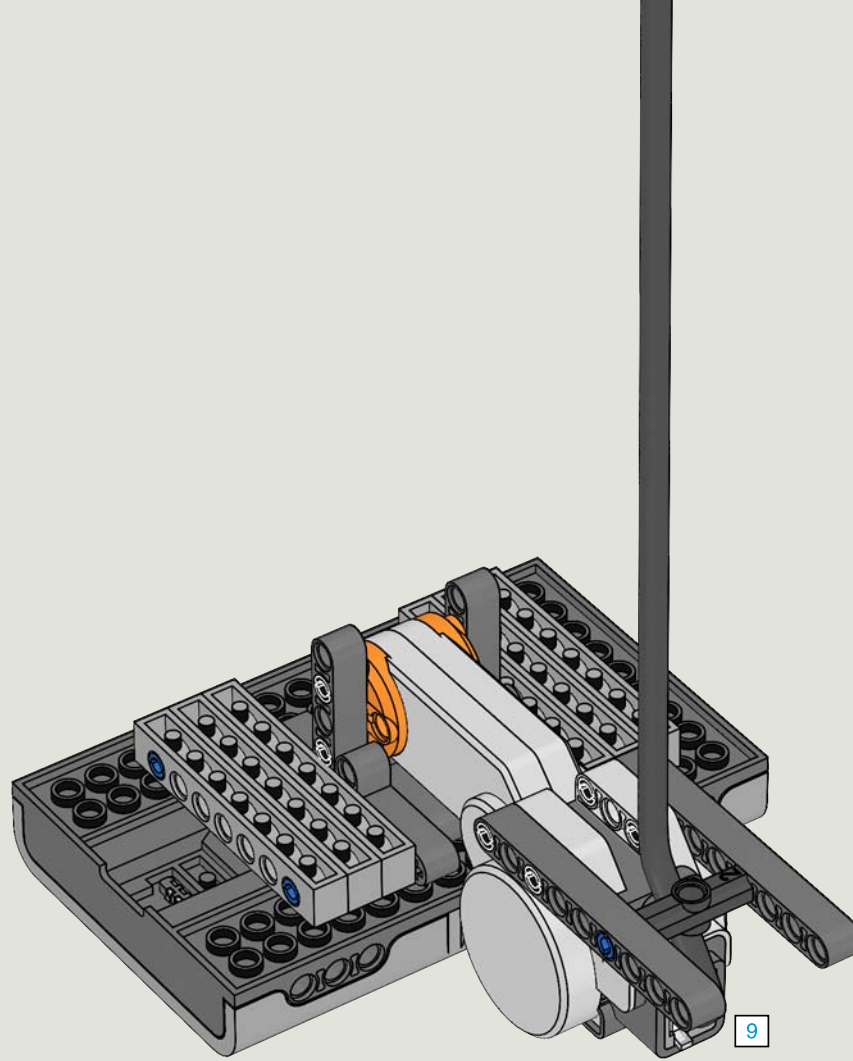


11





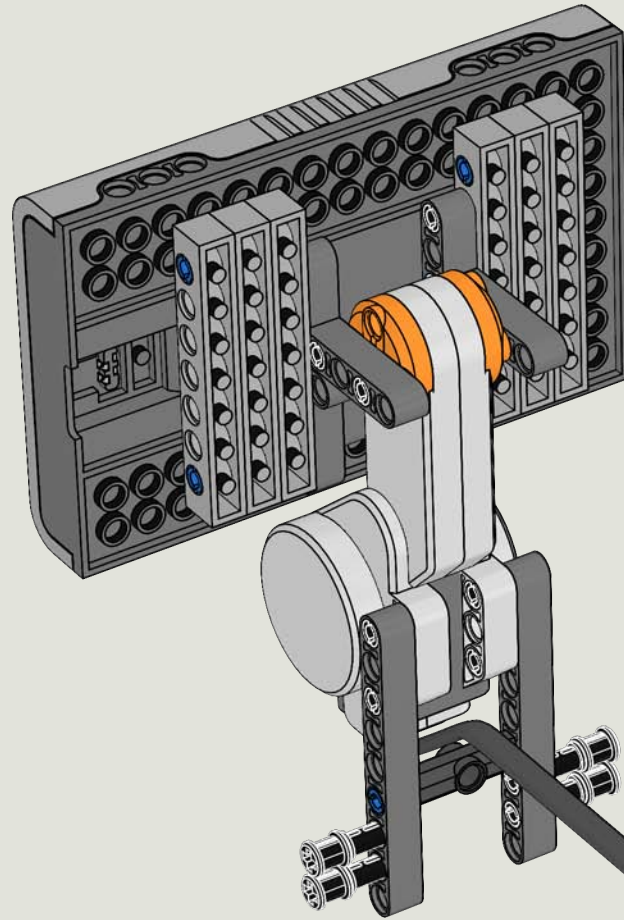
12

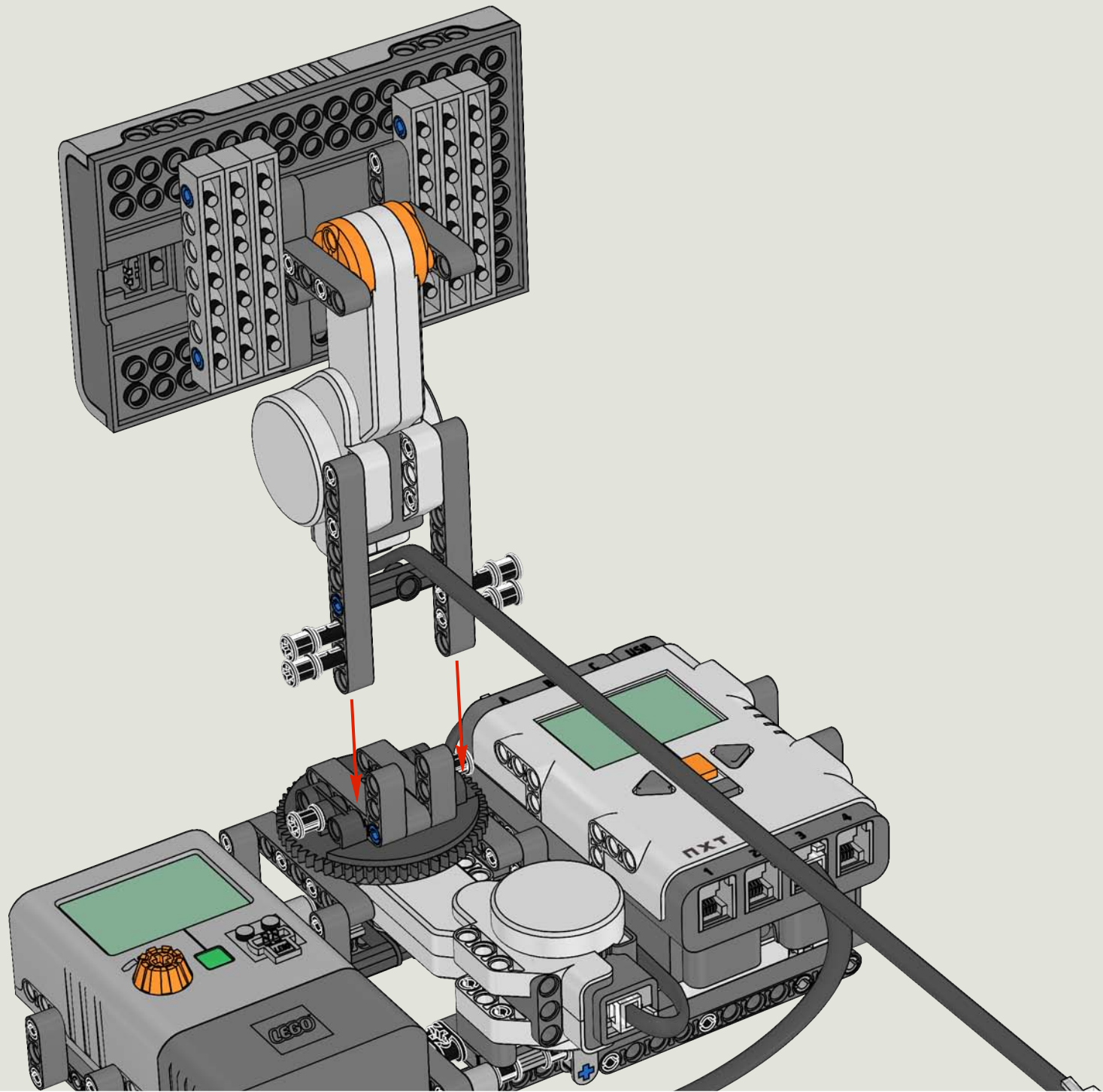


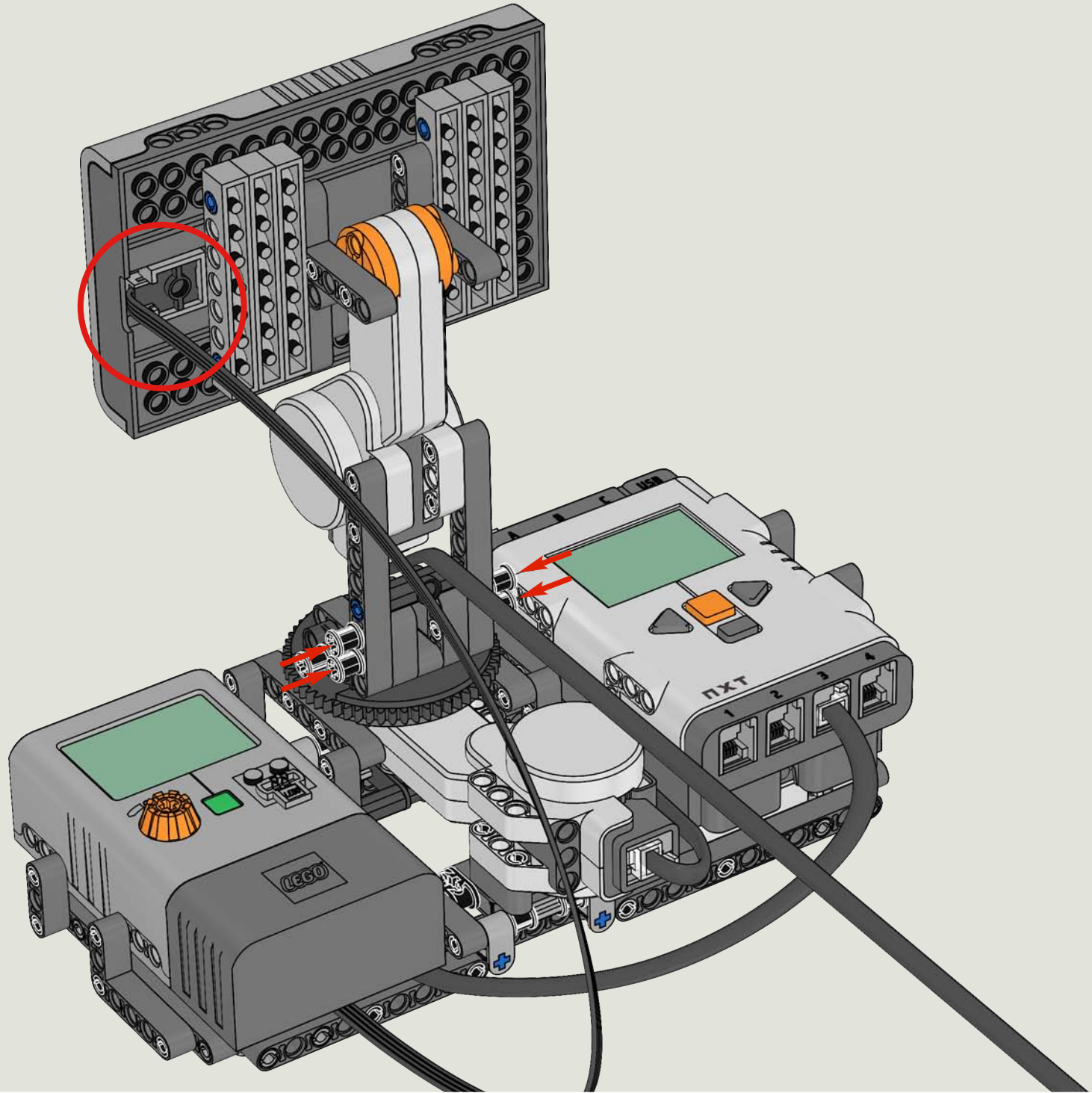


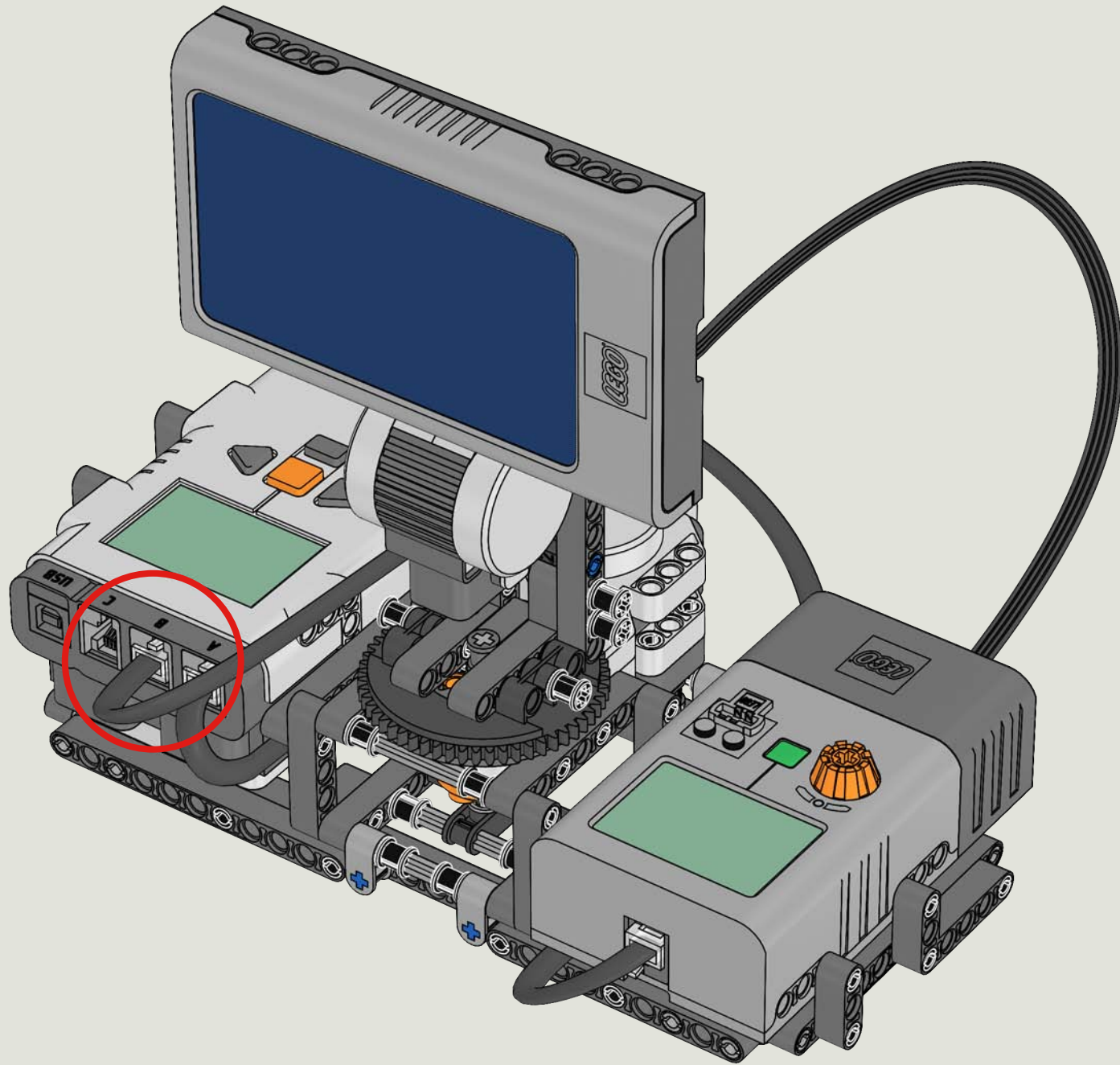
4x

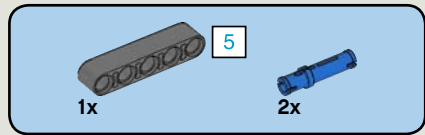
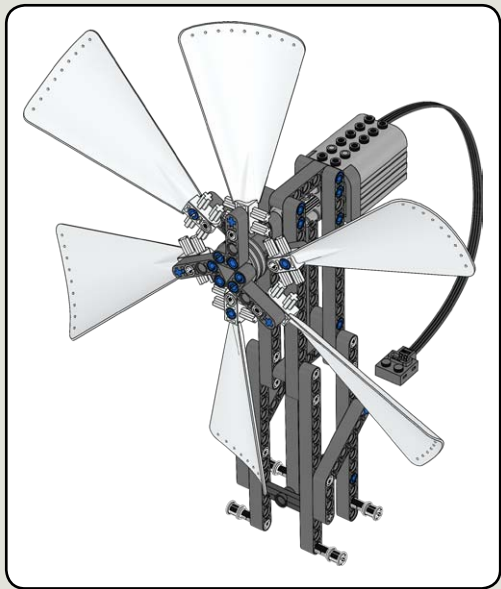
13



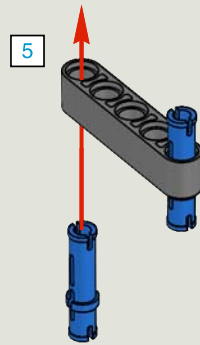


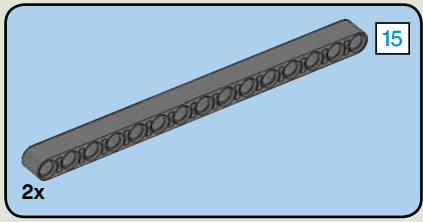




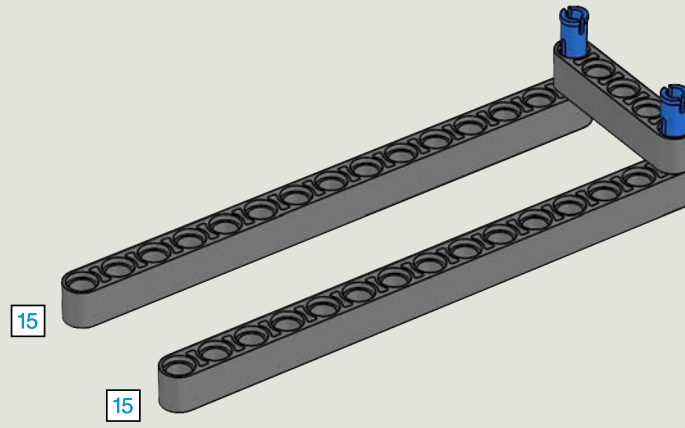


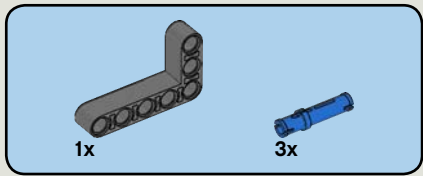
1



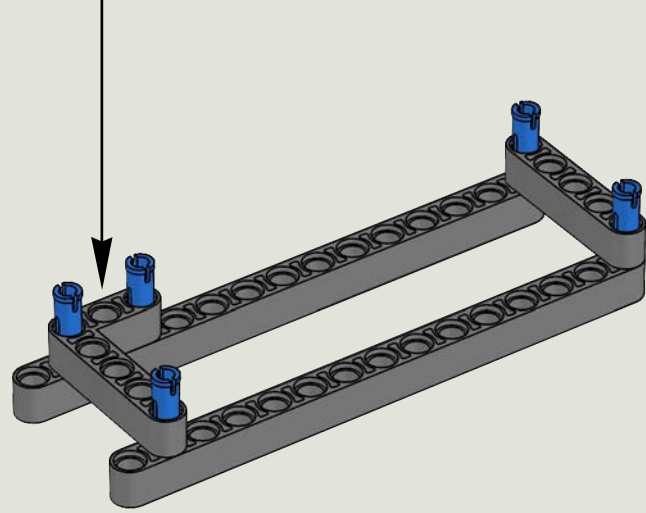
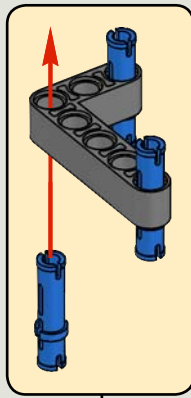


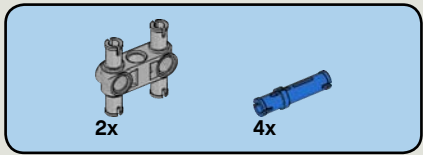
2



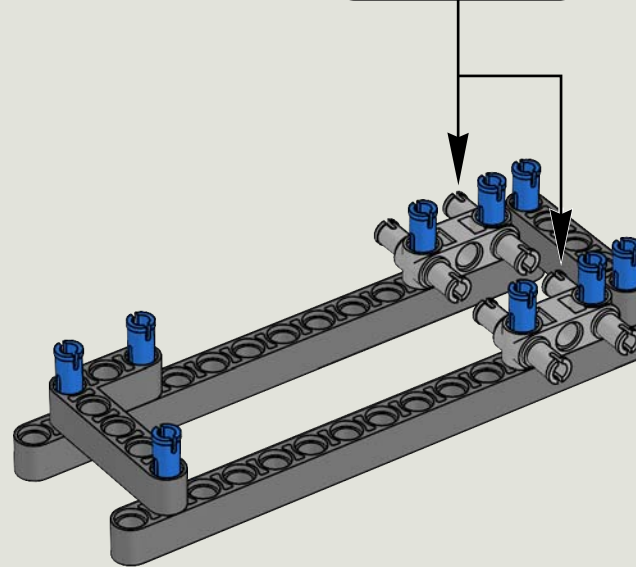
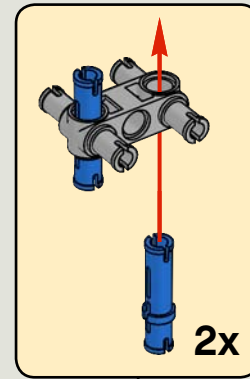


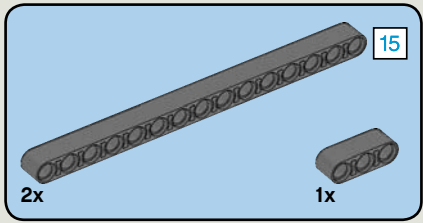
3



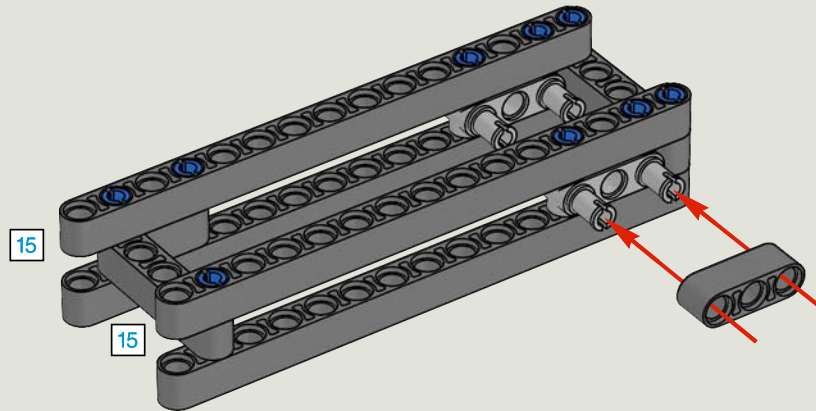


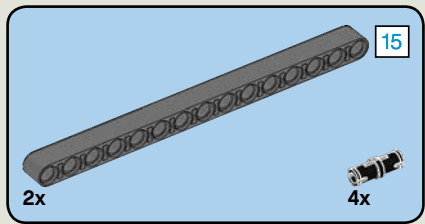
4



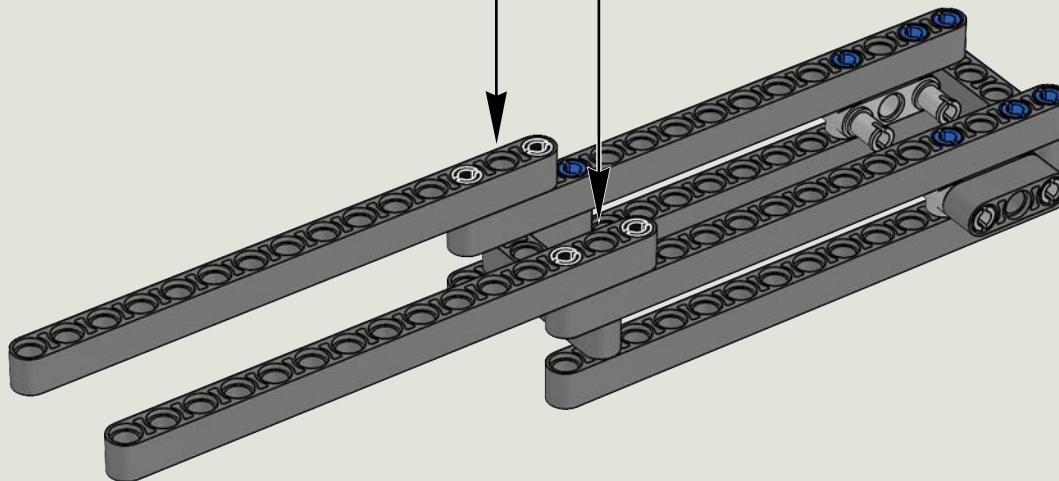
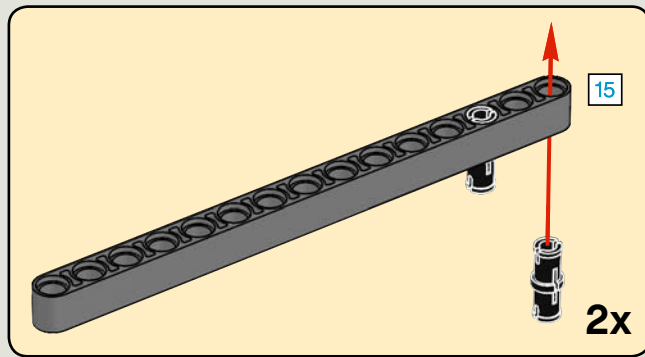


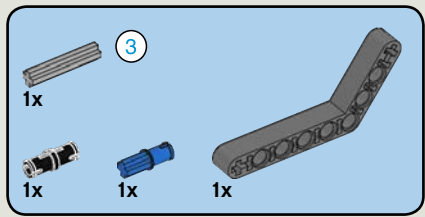
5



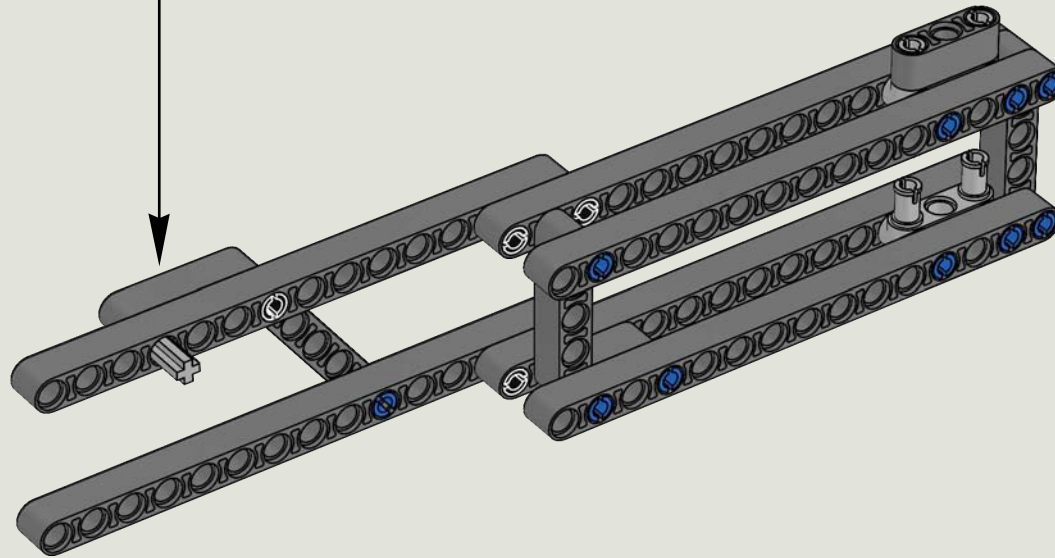
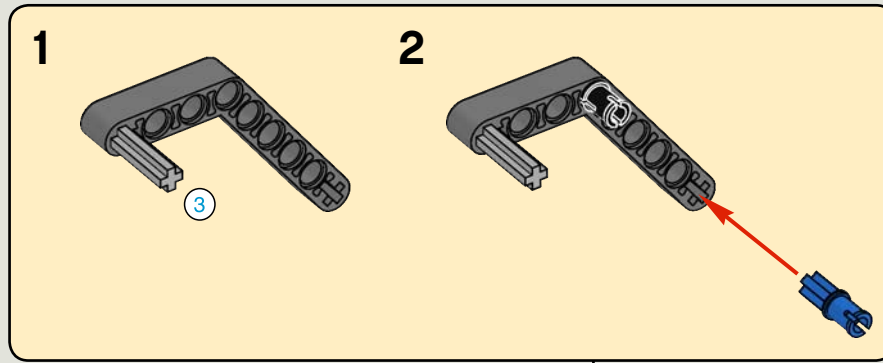


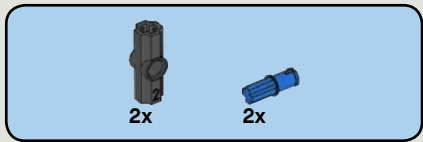
6



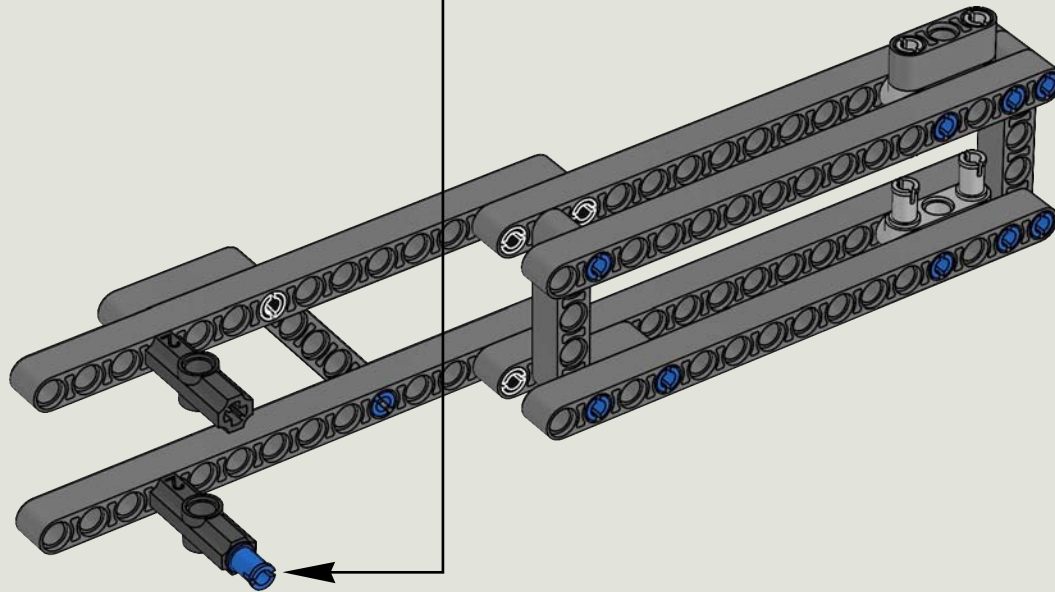
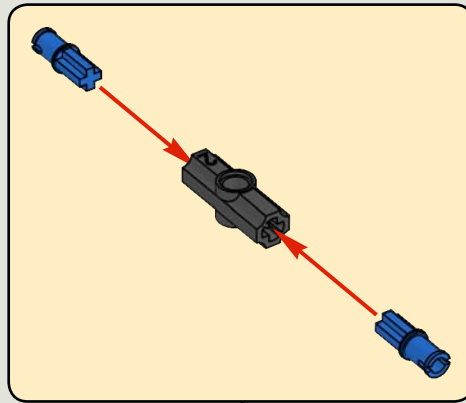


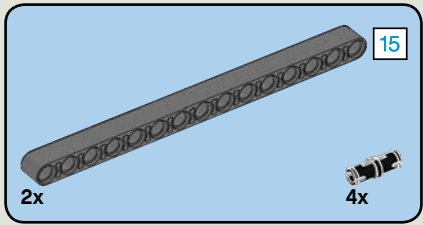
7



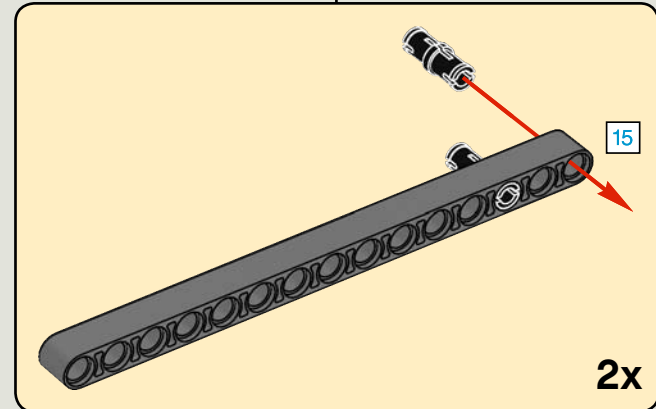
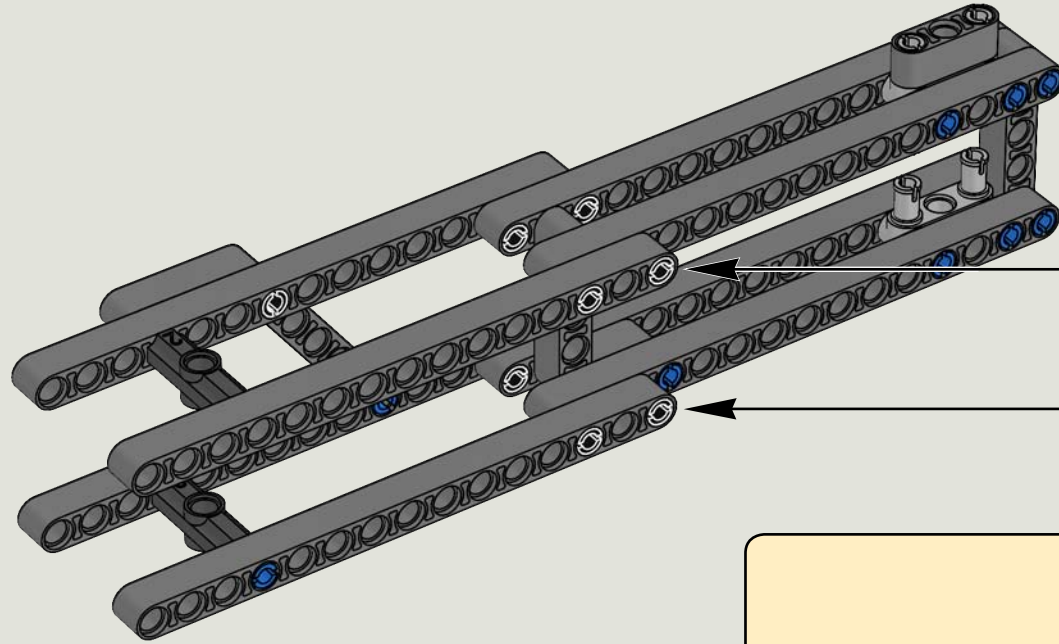


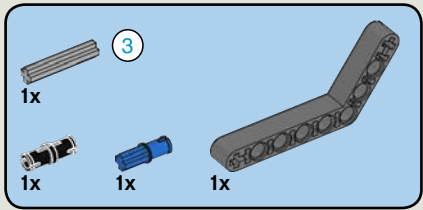
8



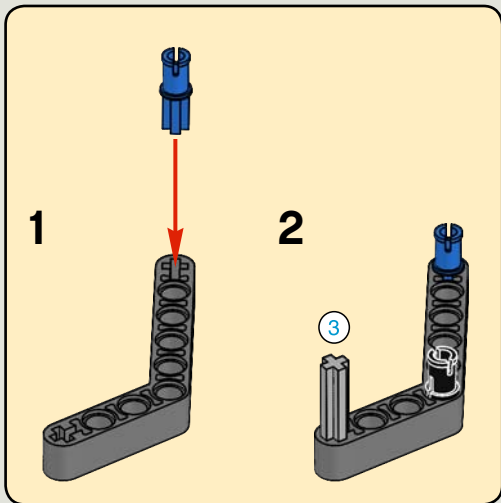
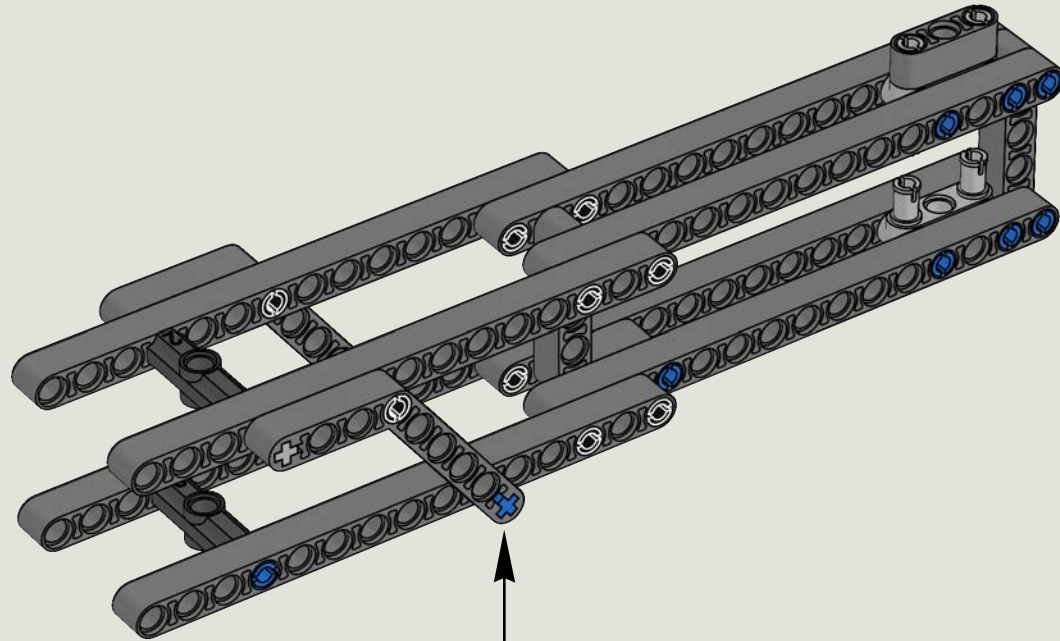


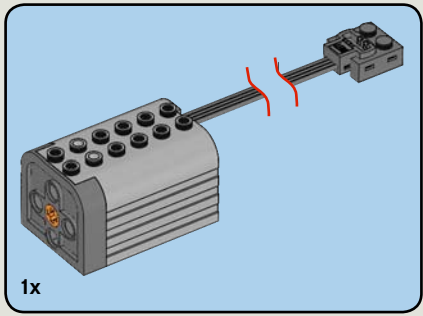
9



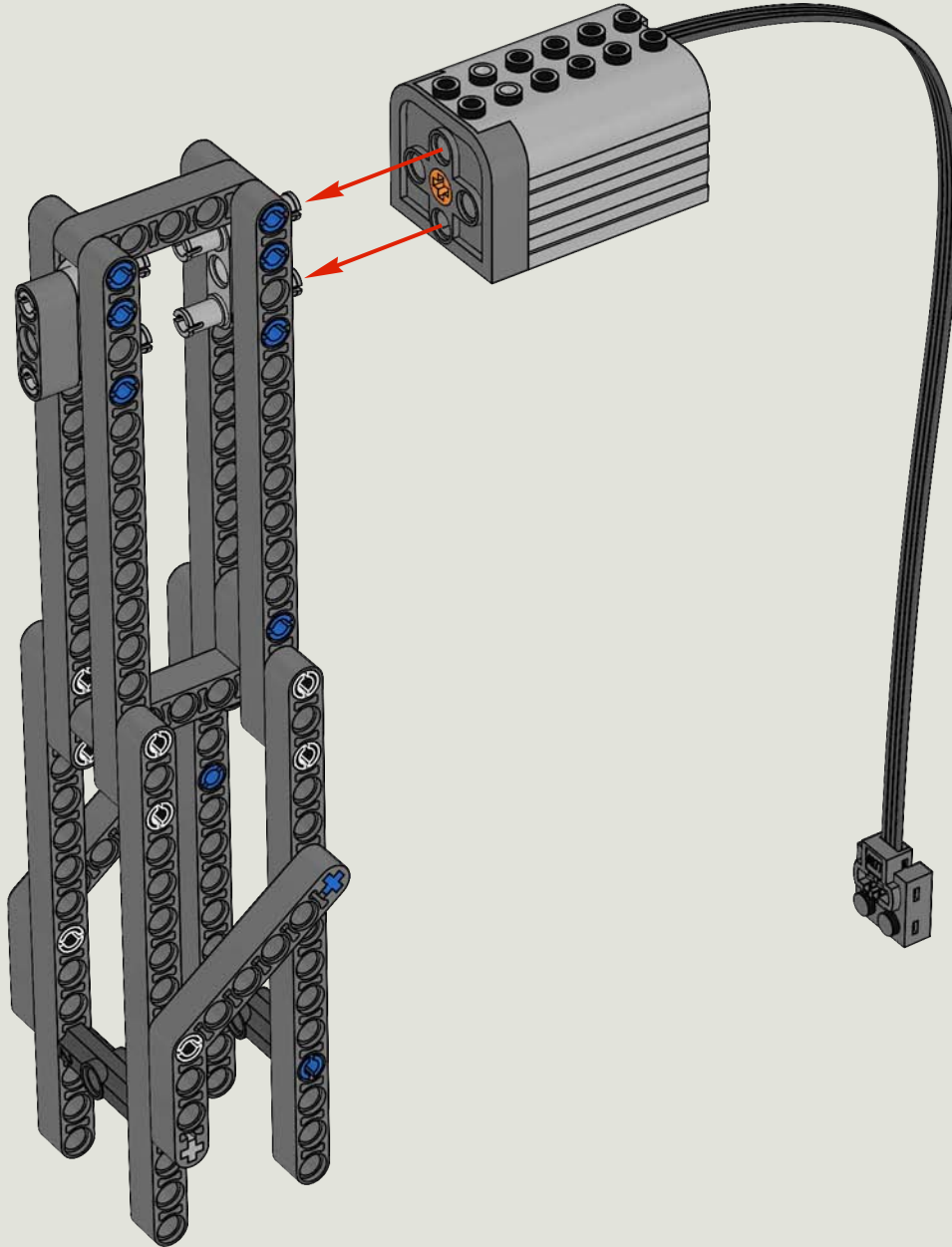


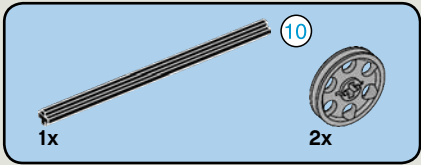
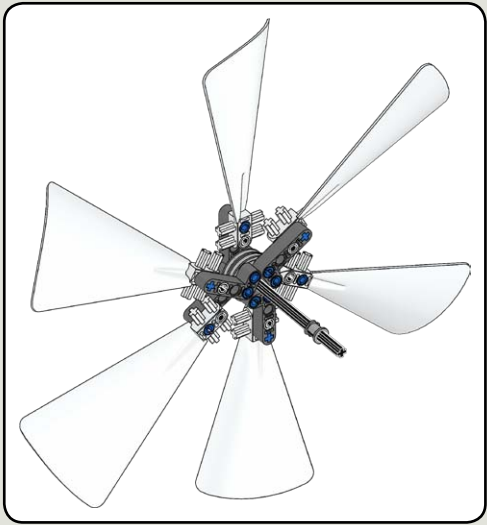
10



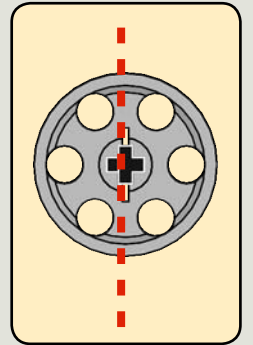
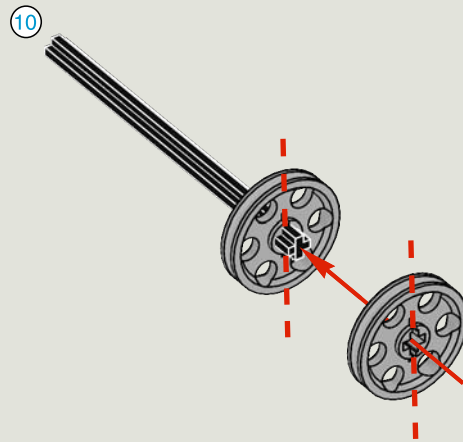


11





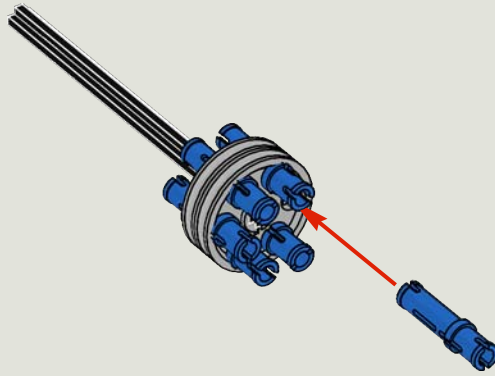
12

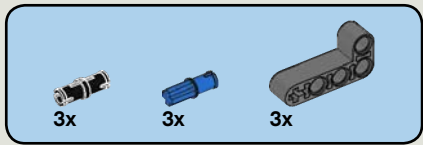




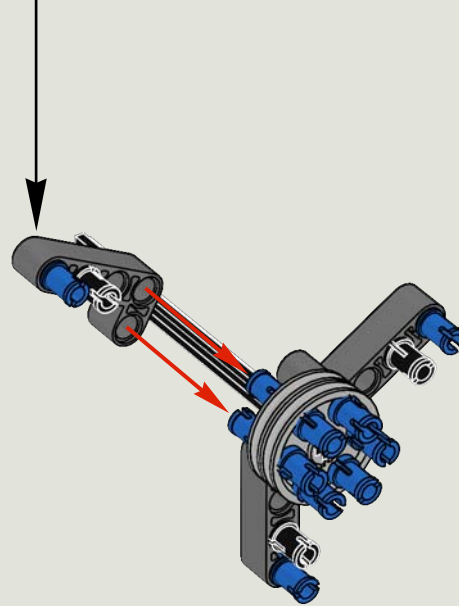
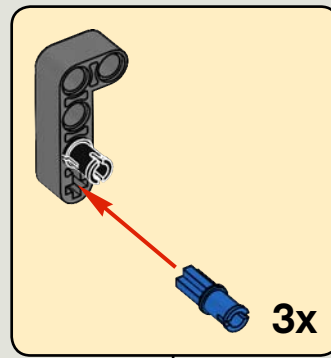
6x

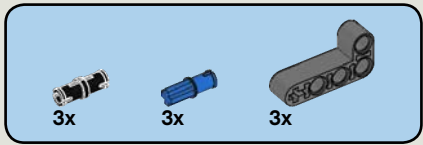
13



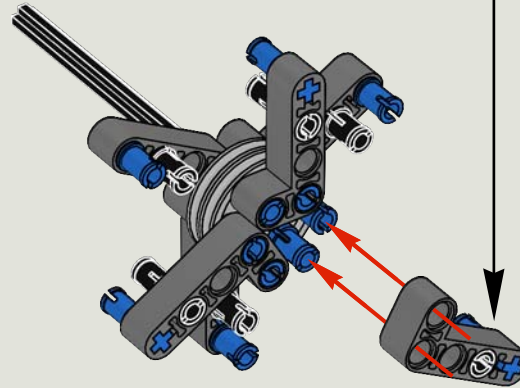
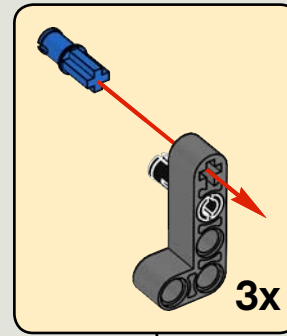


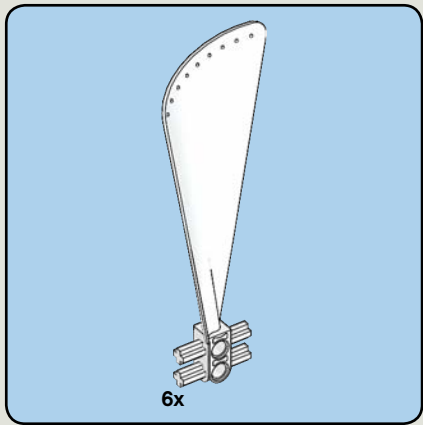
14



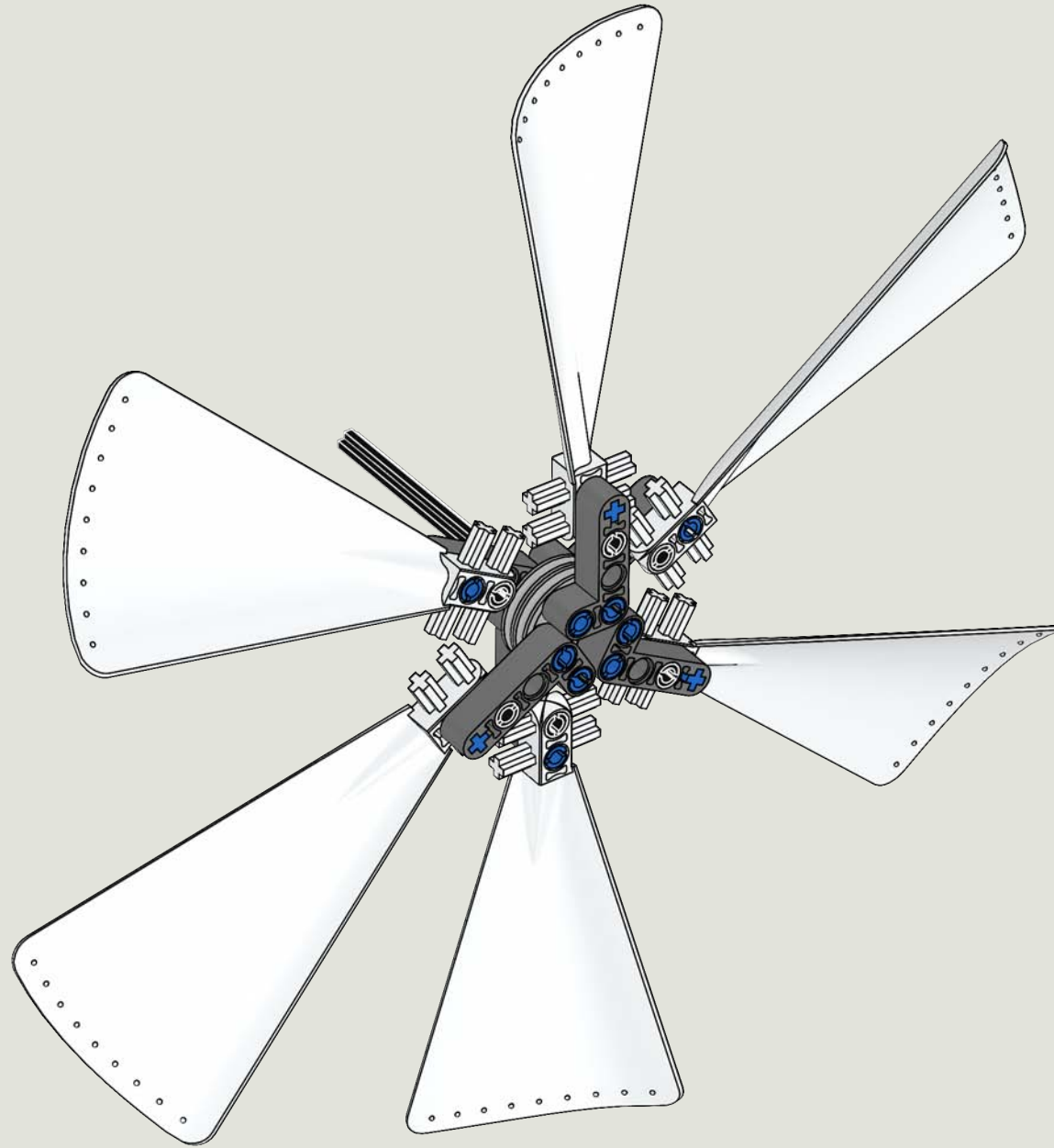


15





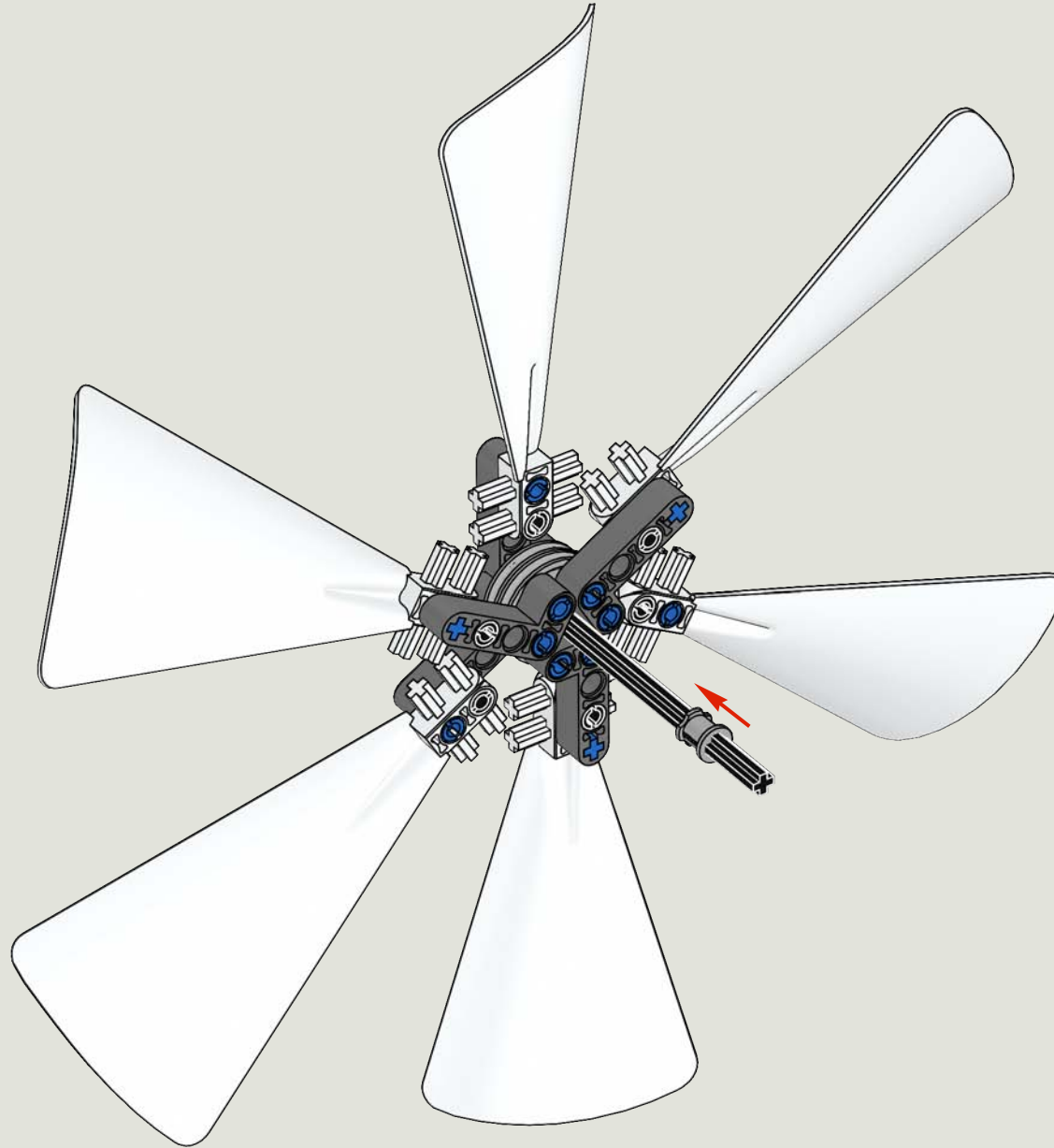
16



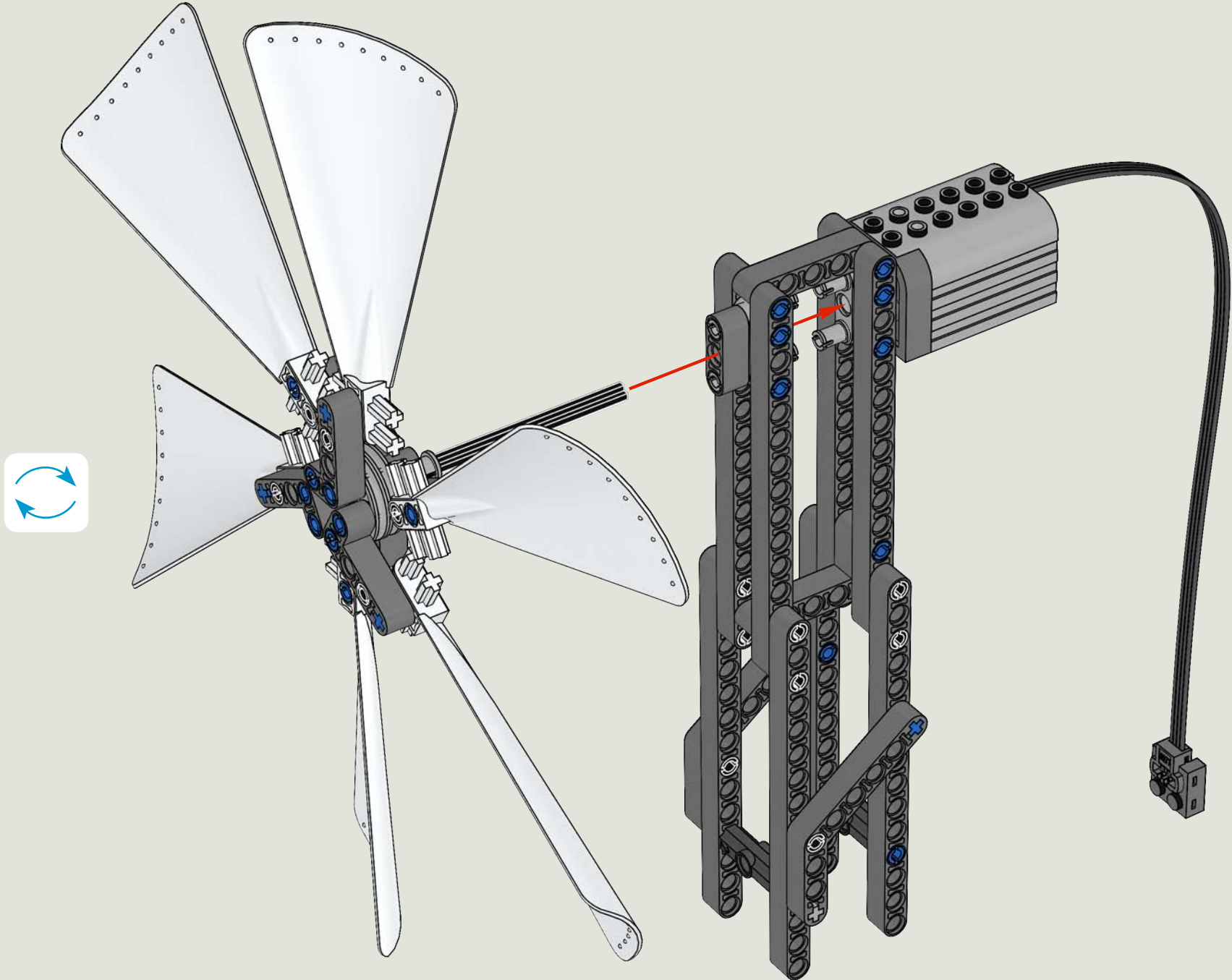


1x

17



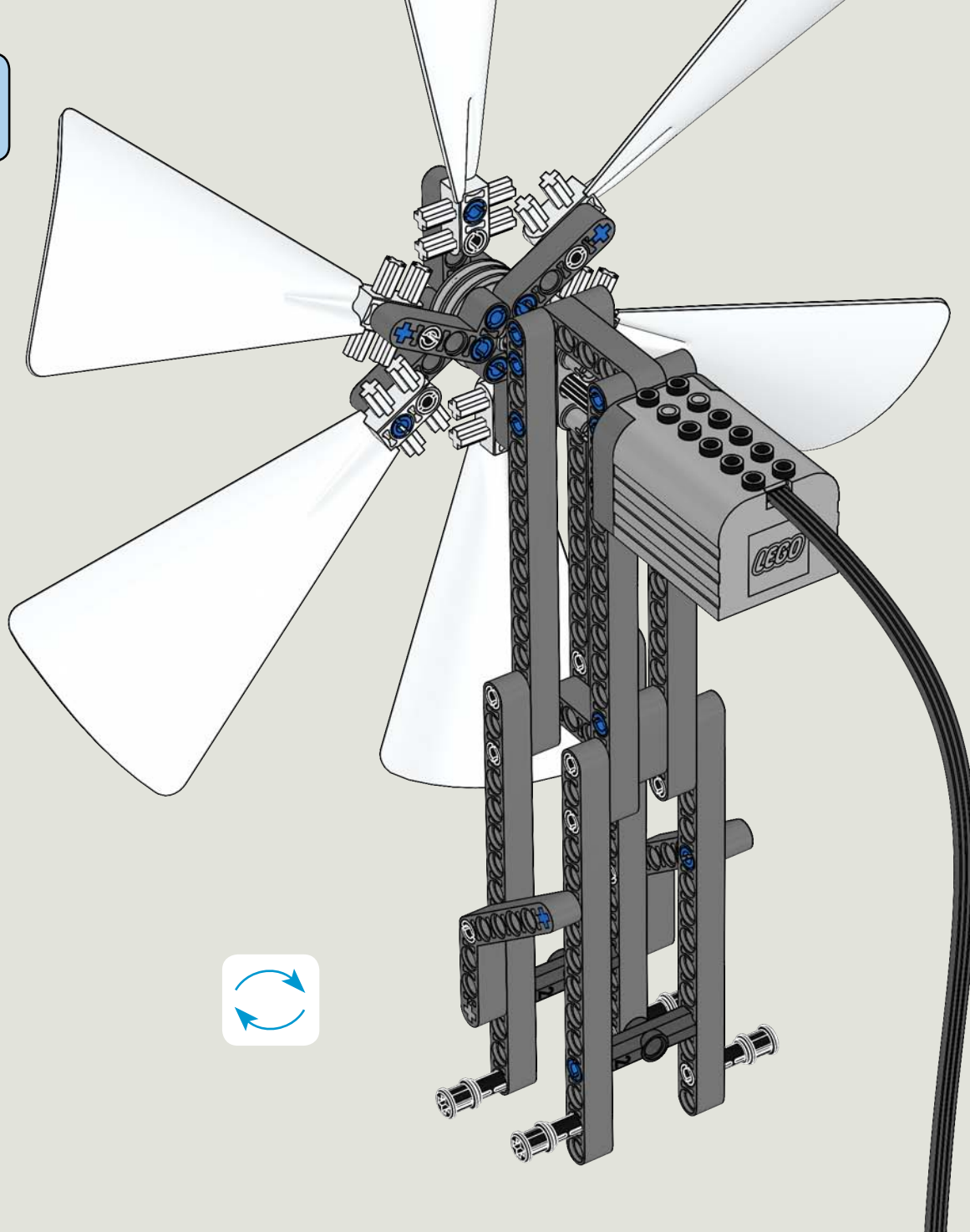
18





4x

19



20

